

NZ1HB-538-M (Order no. 090966)

Safety switch NZ.HB, lever arm with plastic roller, cable entry M20 x 1.5

- ▶ Lever arm, plastic roller \varnothing 18 mm
- ▶ Version A according to EN 50041
- ▶ Cable entry M20 x 1.5
- ▶ 2 pos. driven contact



Approach direction



Horizontal

Can be adjusted in 90° steps

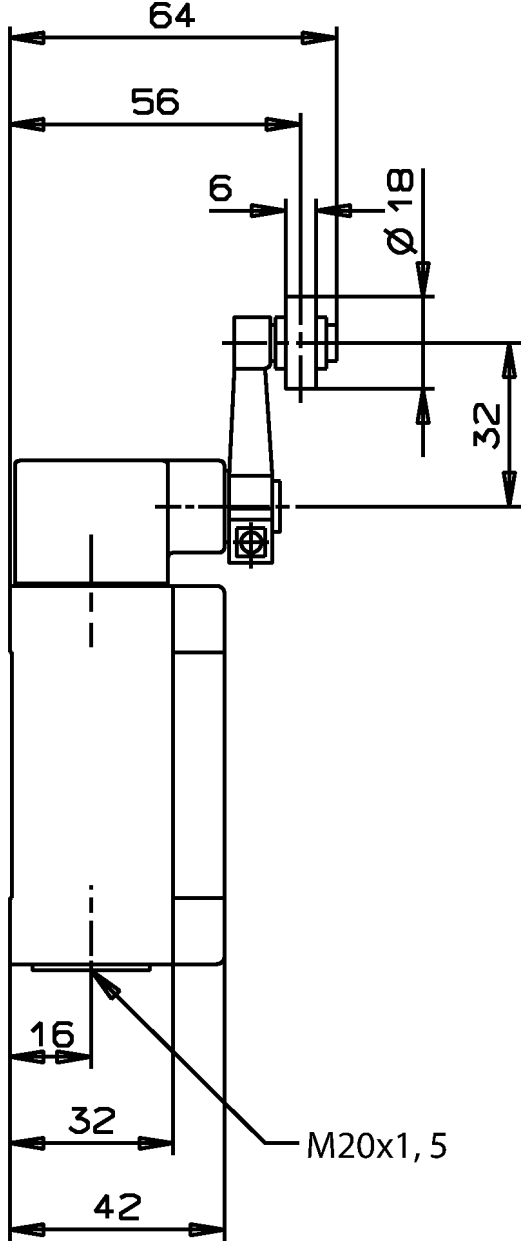
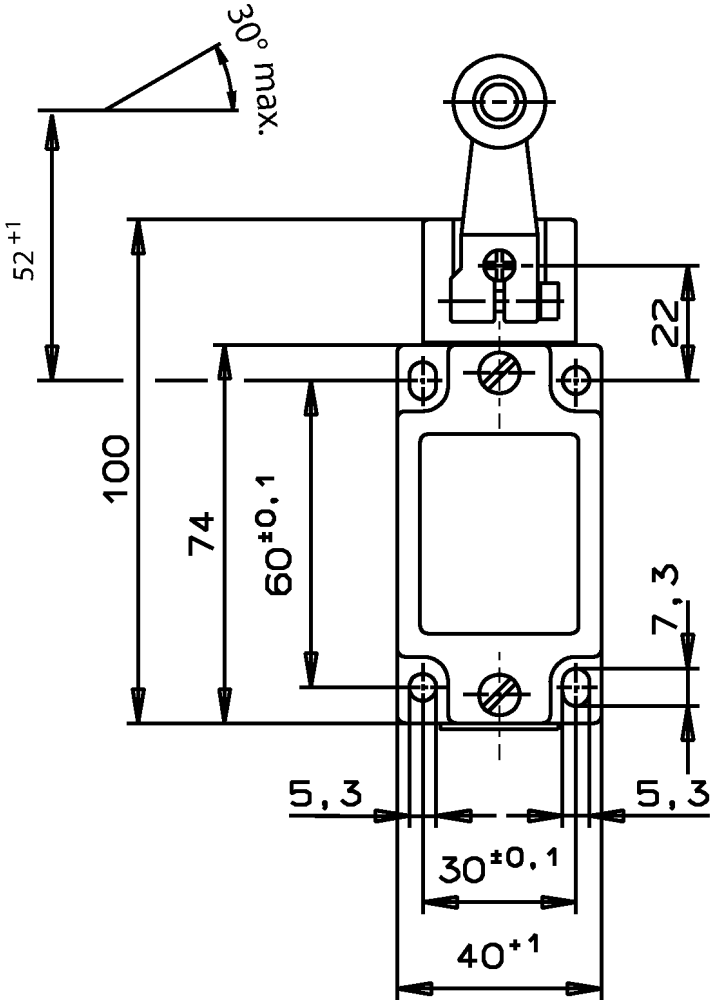
Switching direction adjustable

Right, left or both sides

Switching element

538H Slow-action switching contact 2 positively driven contacts 

Dimensional drawings



Connection examples

