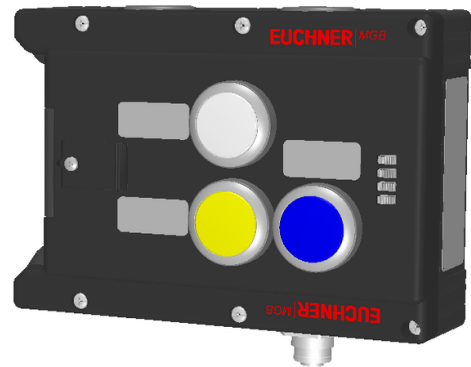


MGB-L0-APA-AA6A1-S3-L-110547 (Order no. 110547)

Interlocking module MGB-L0-APA., with 3 pushbuttons, incl. label carrier, M12 for enabling switch

- ▶ Interlocking (without guard locking)
- ▶ 3 pushbuttons (illuminated, wh, ye, bu)
- ▶ incl. adhesive labels
- ▶ With cable entry
- ▶ With plug connector M12 for enabling switch
- ▶ Unicode



Guard locking type

MGB- The bolt tongue in the handle module is moved into and out of the interlocking module by
L0... actuating the door handle. The door arm is not locked in the locked position.

Door hinge

A mechanical door stop is permanently integrated into the evaluation module of the MGB. A marking on the stop makes adjustment easier.

LED indicator

The LED indicator indicates all important system and status information.

Monitoring outputs

- OD ON when the door is closed
- OT Bolt tongue inserted into the evaluation module
- OI Diagnostics; there is a fault

Pushbuttons

- S2 1 NO contact, white, illuminated
- S3 1 NO contact, yellow, illuminated
- S4 1 NO contact, blue, illuminated

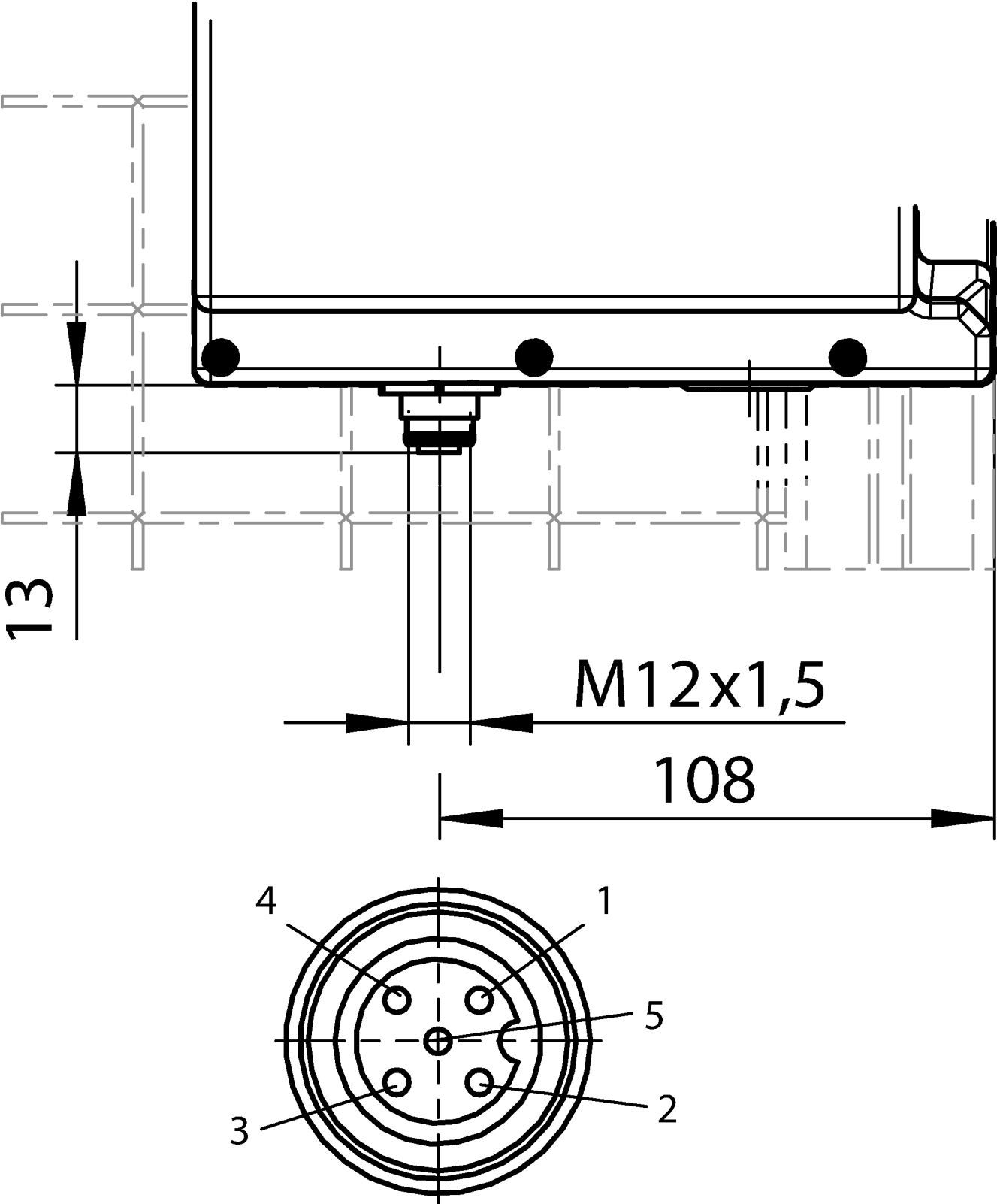
Connection for enabling switch

The device has an M12 plug connector for the direct connection of an enabling switch (e.g. ZSA, order no.: 110560).

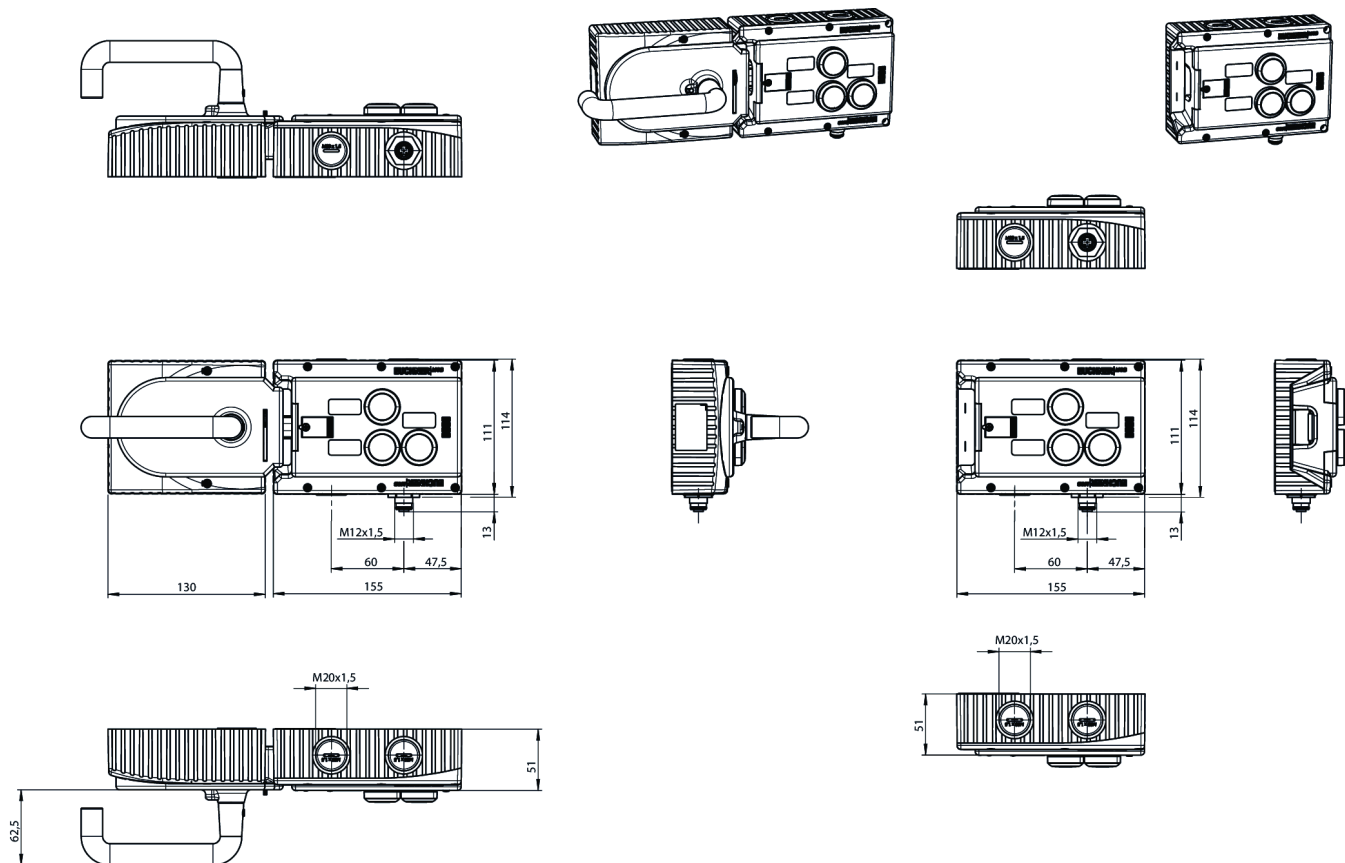
Adhesive labels

Devices with adhesive labels have pre-formed recesses. The adhesive labels enclosed (standard size 12.5 x 27 mm) can be affixed in these recesses.

Dimensional drawings



Dimensional drawings



Connection examples

