

CES-A-AEA-02B (Order no. 092560)

Evaluation unit CES-A-AEA-02B/CES-A-UEA-02B (for 2 read heads)

- ▶ 2 read heads can be connected
- ▶ 2 safety contacts (relay contacts)
- ▶ 1 internal normally open contact per safety contact
- ▶ Start button and feedback loop can be connected
- ▶ Unicode evaluation unit
- ▶ Category 4 / PL e according to EN ISO 13849-1



Unicode evaluation unit

Each actuator is highly coded (unicode). The evaluation unit detects only actuators that have been taught-in. Max. 8 actuators can be taught-in.

Only the last actuator taught-in is detected. New actuators are taught-in by fitting a jumper.

Category according to EN ISO 13849-1

Due to two redundant relay outputs (safety outputs) with internally monitored contacts, suitable for:

- ▶ Category 4 / PL e according to EN ISO 13849-1

Actuating range

The evaluation unit has the standard actuating range that, e.g., permits larger tolerances in the alignment of read head and actuator.

TST Input for self-test

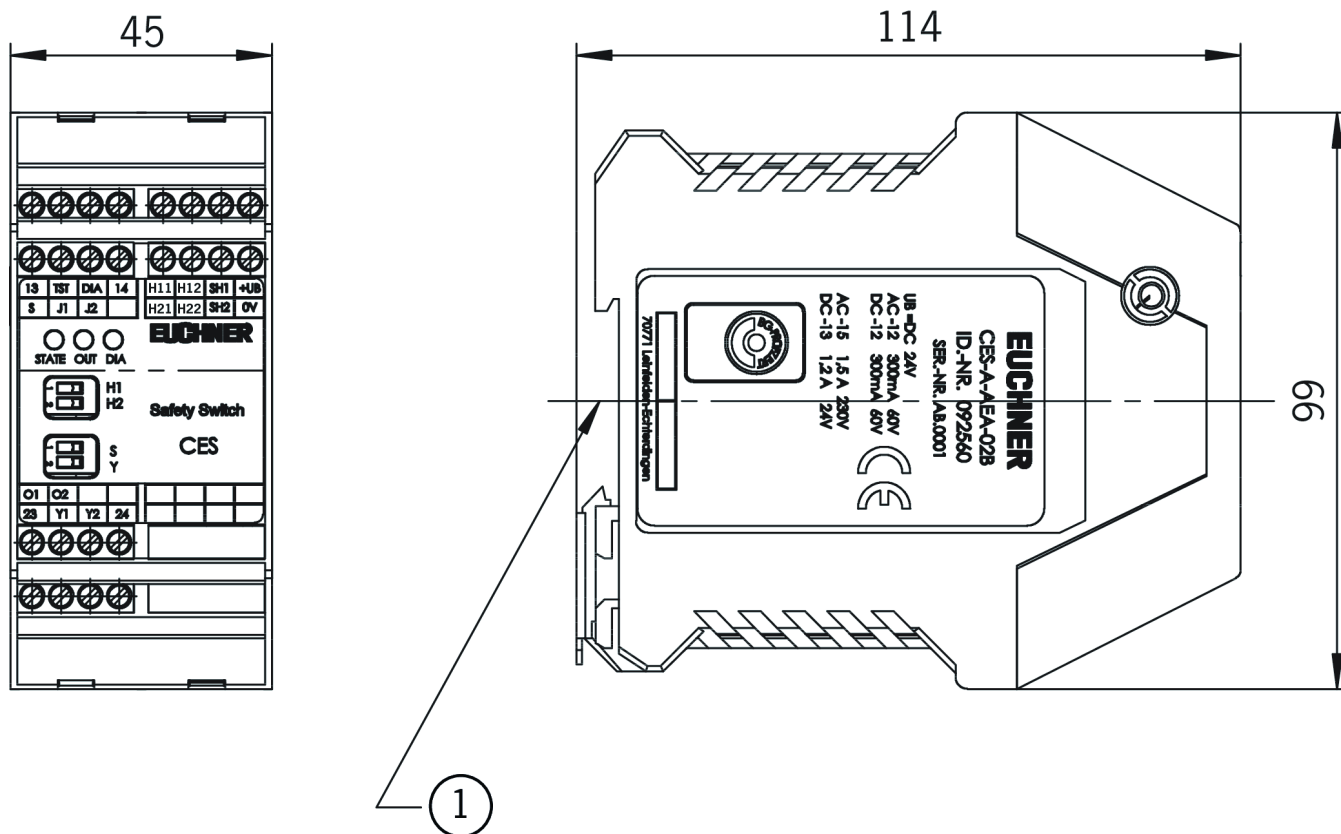
DIA Diagnostic output

O1,O2 Monitoring outputs (semiconductor)

Y1,Y2 Feedback loop

S Start button connection

Dimensional drawings



1 Suitable for 35 mm mounting rail according to EN 60715

Connection examples

