

EKS-A-K10GWT32-EU (Order no. 123098)

Electronic-Key read/write

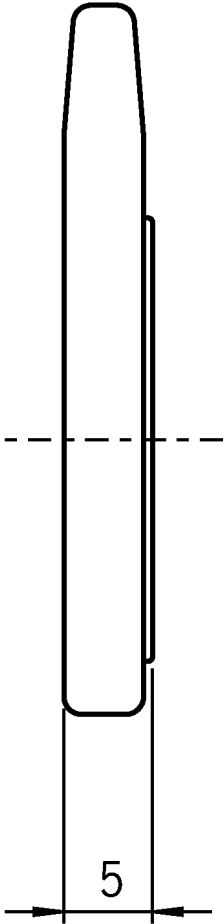
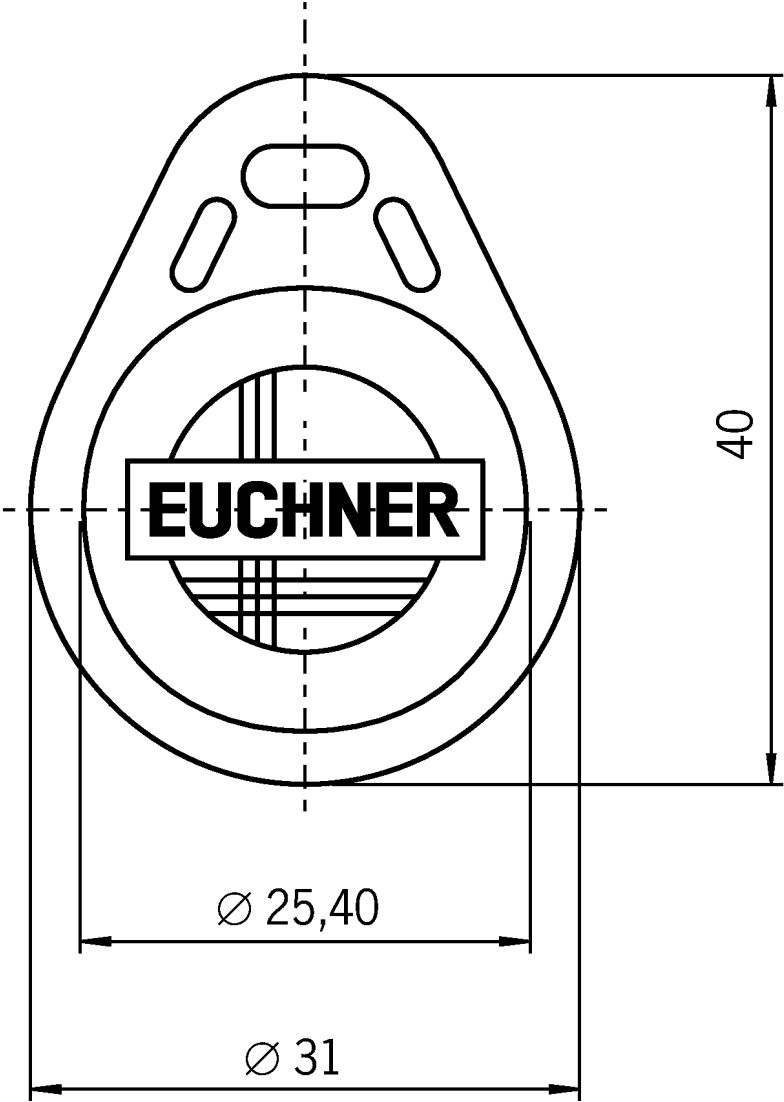
- ▶ Memory 116 bytes E²PROM (programmable) plus 8 bytes ROM (serial number)



Special features

- ▶ The Electronic-Key contains a unique 8-byte serial number. This number is written by laser during the Electronic-Key production process and is stored absolutely indestructibly. The serial number is used for secure distinction of every single Electronic-Key.

Dimensional drawings



Technical data

Electrical connection values

| | |
|-------------------------|----------------------------------|
| Number of read cycles | not limited |
| Number of write cycles | min. 100000 |
| Data retention time | min. 10 y at +55 °C |
| Length of serial number | 8 B (Serial number read only) |
| Power supply | Inductive via key adapter |
| Storage capacity | 116 B read/write |

Mechanical values and environment

| | |
|----------------------|---------------------|
| Storage temperature | -25 ... 70 °C |
| Degree of protection | IP65/IP67 |
| Ambient temperature | -20 ... 60 °C |
| Material | |
| | Housing ABS, orange |