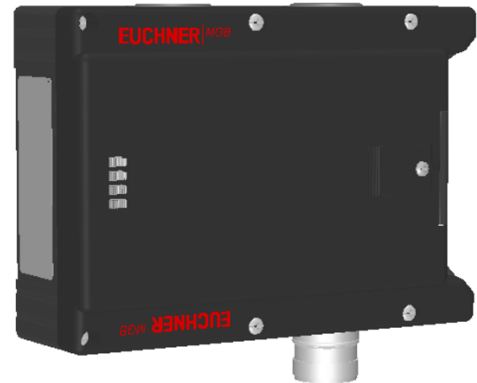


MGB-L0-ARA-AA1A1-S1-R-111937 (Order no. 111937)

Interlocking module MGB-L0-ARA..., without control or indicator, RC18

- ▶ Interlocking (without guard locking)
- ▶ Can be connected in series with other AR devices (e.g. CES-AR and CET-AR)
- ▶ With plug connector RC18
- ▶ Unicode



Door hinge

A mechanical door stop is permanently integrated into the evaluation module of the MGB. A marking on the stop makes adjustment easier.

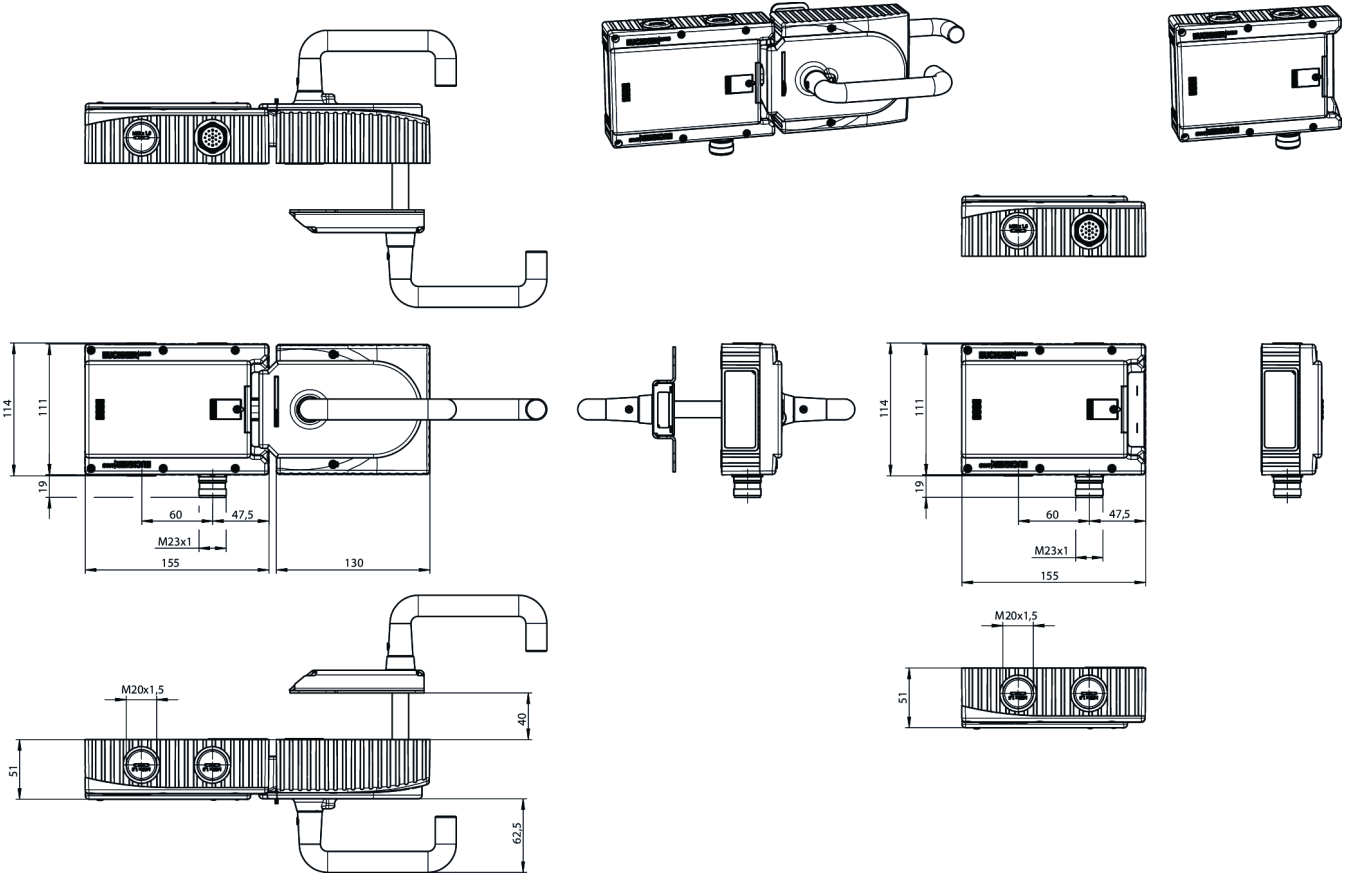
LED indicator

The LED indicator indicates all important system and status information.

Monitoring outputs

- OT Bolt tongue inserted into the evaluation module
- OI Diagnostics; there is a fault

Dimensional drawings



Dimensional drawings

