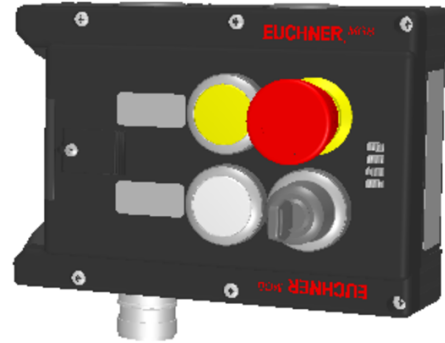


MGB-L2-APA-AC7A1-S1-L-110524 (Order no. 110524)

Locking module MGB-L2-APA.. (guard locking by solenoid force) with 2 pushbuttons, emergency stop, key-operated rotary switch, incl. label carrier, RC18, IP42

- ▶ Guard locking with guard lock monitoring
- ▶ Emergency stop according to ISO 13850
- ▶ 2 pushbuttons (illuminated, wh, ye)
- ▶ With key-operated rotary switch (form L, 90°)
- ▶ incl. adhesive labels
- ▶ With plug connector RC18
- ▶ Unicode
- ▶ Degree of protection IP42



Guard locking type

MGB- The locking arm is held in the locked position by solenoid force and is unlocked by spring force
L2... when the solenoid is switched off (open-circuit current principle, electrically locked).

Door hinge

A mechanical door stop is permanently integrated into the evaluation module of the MGB. A marking on the stop makes adjustment easier.

LED indicator

The LED indicator indicates all important system and status information.

Monitoring outputs

OT Bolt tongue inserted into the evaluation module

OI Diagnostics; there is a fault

Emergency stop device

S1 2 positively driven contacts, emergency stop with turn-to-reset, not illuminated

Pushbuttons

S2 1 NO contact, white, illuminated

S3 1 NO contact, yellow, illuminated

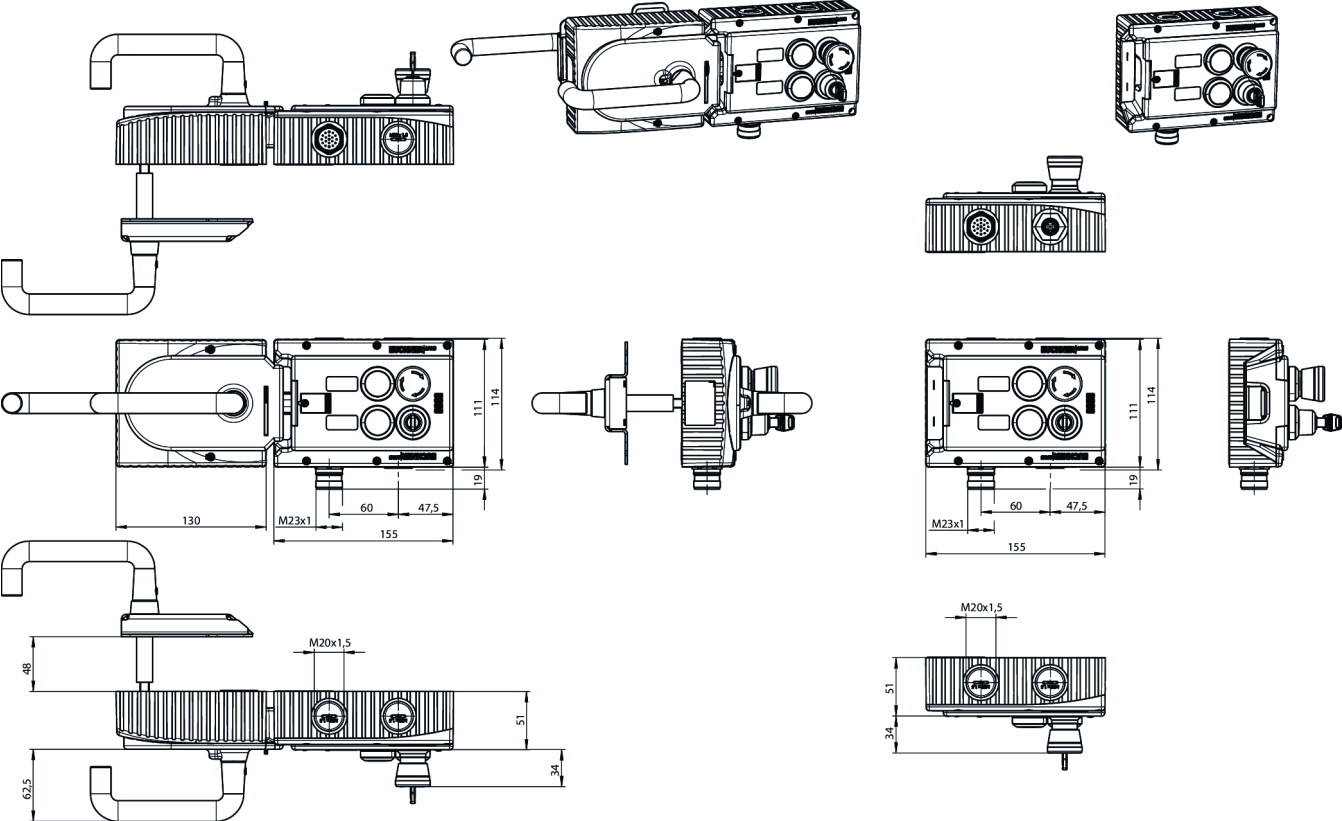
Key-operated rotary switch

S4 Key-operated rotary switch with 2 positions (form L, 90°). The switch latches in both positions, but it can be removed only in position 0.

Adhesive labels

Devices with adhesive labels have pre-formed recesses. The adhesive labels enclosed (standard size 12.5 x 27 mm) can be affixed in these recesses.

Dimensional drawings



Dimensional drawings

