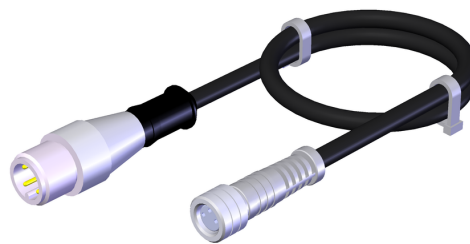


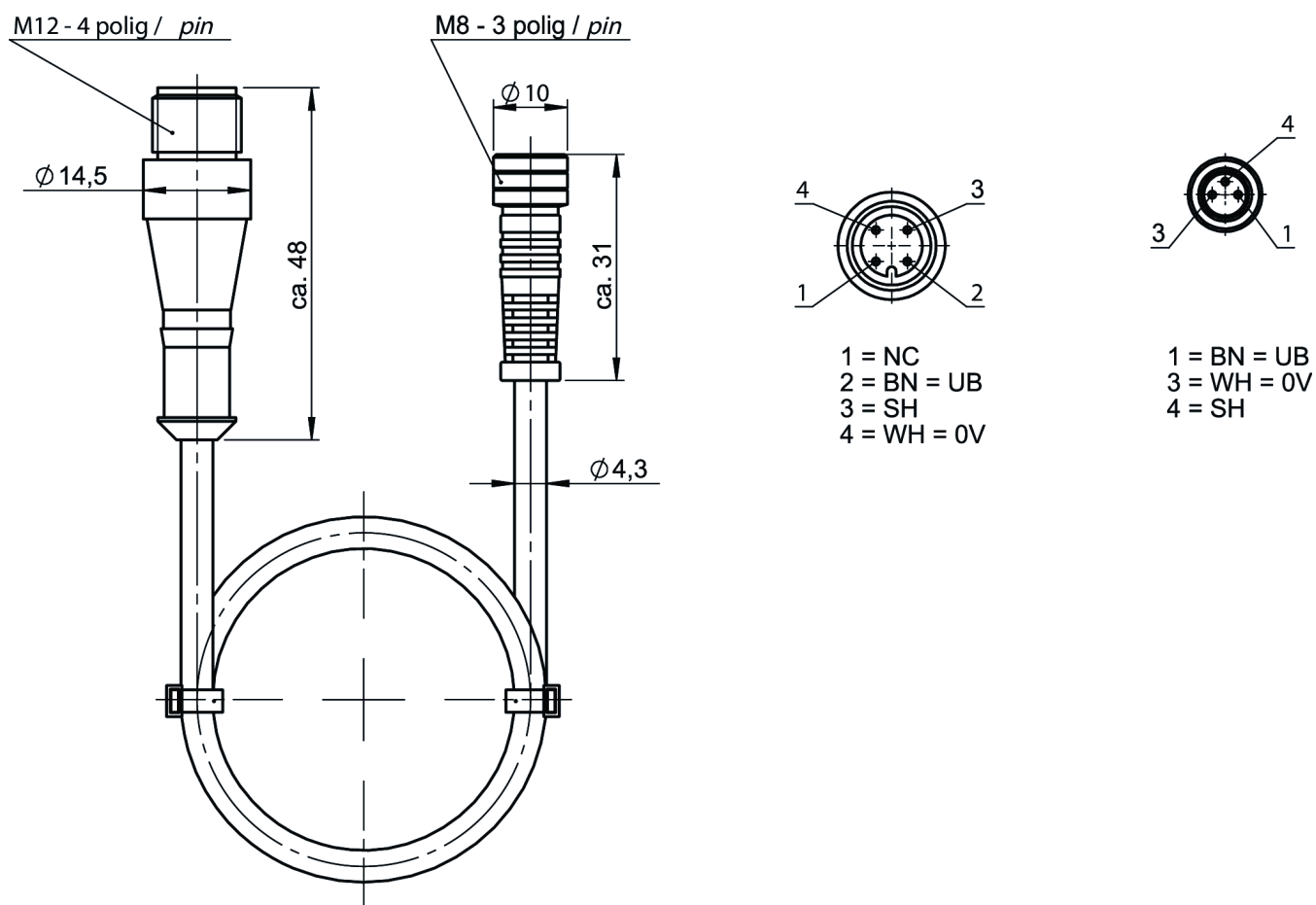
## C-M08F03-02X025PU30,0-M12M04-099168 (Order no. 099168)

### Connecting cable with 2 plug connectors M8 and M12, 30 m

- ▶ 4-pin M12 male plug, straight
- ▶ 3-pin M8 female plug, straight
- ▶ PUR cable
- ▶ Cable length 30 m



### Dimensional drawings



## Technical data

### Approvals



### Electrical connection values

Rated voltage	DC 60 V
---------------	---------

Cable shielding	Yes (Cu braid, coverage approx. 85%)
-----------------	---

#### Connection 1

Degree of contamination according to EN 60664-1	3
---	---

#### Connection 2

Degree of contamination according to EN 60664-1	3
---	---

### Mechanical values and environment

Conductor cross-section	0.25 mm <sup>2</sup>
-------------------------	----------------------

Number of conductors	2
----------------------	---

Dynamic bending radius	7.5 x cable diameter
------------------------	----------------------

Static bending radius	5 x cable diameter
-----------------------	--------------------

Halogen-free	Yes
--------------	-----

Storage temperature	-25 ... 80 °C
---------------------	---------------

Cable type	straight
------------	----------

Cable diameter	approx. 4.3 mm
----------------	----------------

Cable length	30 m
--------------	------

Sheath color	black
--------------	-------

Drag chain suitability	Yes
------------------------	-----

Cable ambient temperature (dynamic)	-25 ... 70 °C
-------------------------------------	---------------

Cable ambient temperature (static)	-25 ... 80 °C
------------------------------------	---------------

Material

Sheath PUR

## Connection 1

Connection type Plug connector M12x1

Connection type Male plug

Tightening torque 0.6 Nm

Cable outlet straight

Number of pins 4

Degree of protection IP67  
(in the inserted state)

Plug lock Screw connection

Material

Plug housing PUR

## Connection 2

Connection type Plug connector M8x1

Connection type Female plug

Tightening torque 0.4 Nm

Cable outlet straight

Number of pins 3

Degree of protection IP67  
(in the inserted state)

Plug lock Screw connection

Material

Plug housing PUR