

SN03R12-1508-M (Order no. 086595)

Series SN... 12 mm, mechanical

- ▶ Plunger spacing 12 mm
- ▶ Upright housing, small flange
- ▶ Degree of protection IP67 according to IEC 60529



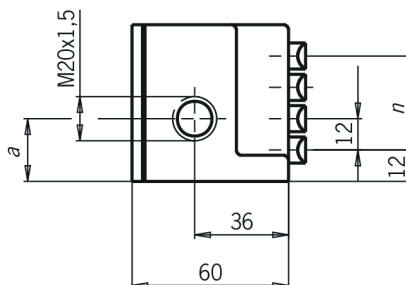
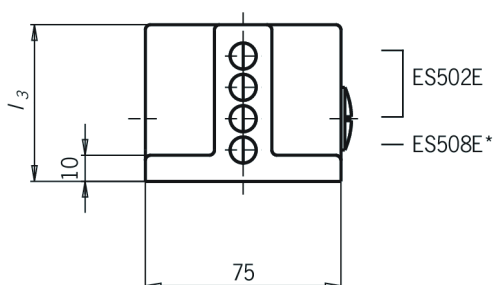
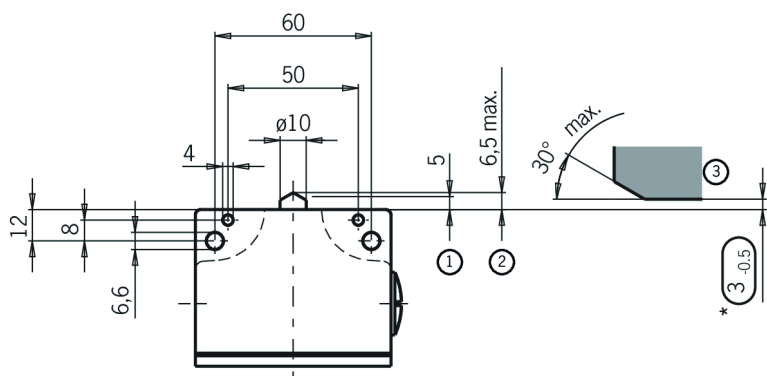
Switching elements

ES 502 E Snap-action switching contact 1 NC + 1 NO

ES 508 Slow-action switching contact 1 NC (→)

On the usage of safety switching elements, the dog distance (3^{-0.5}) must be maintained to achieve the positively driven travel. The dogs must be positively mounted according to EN ISO 14119, i.e. riveted, welded or secured in some other way against becoming loose.

Dimensional drawings



6	84	24
5	72	24
4	60	24
3	48	24
2	36	19
n	13	a
Anzahl der Stößel		
(4)		

Safety switching element ES 508E positively driven. Positive opening function is dependent on
* maintaining this distance.

1 Operating point

2 Free position

3 Dog

4 n Number of plungers

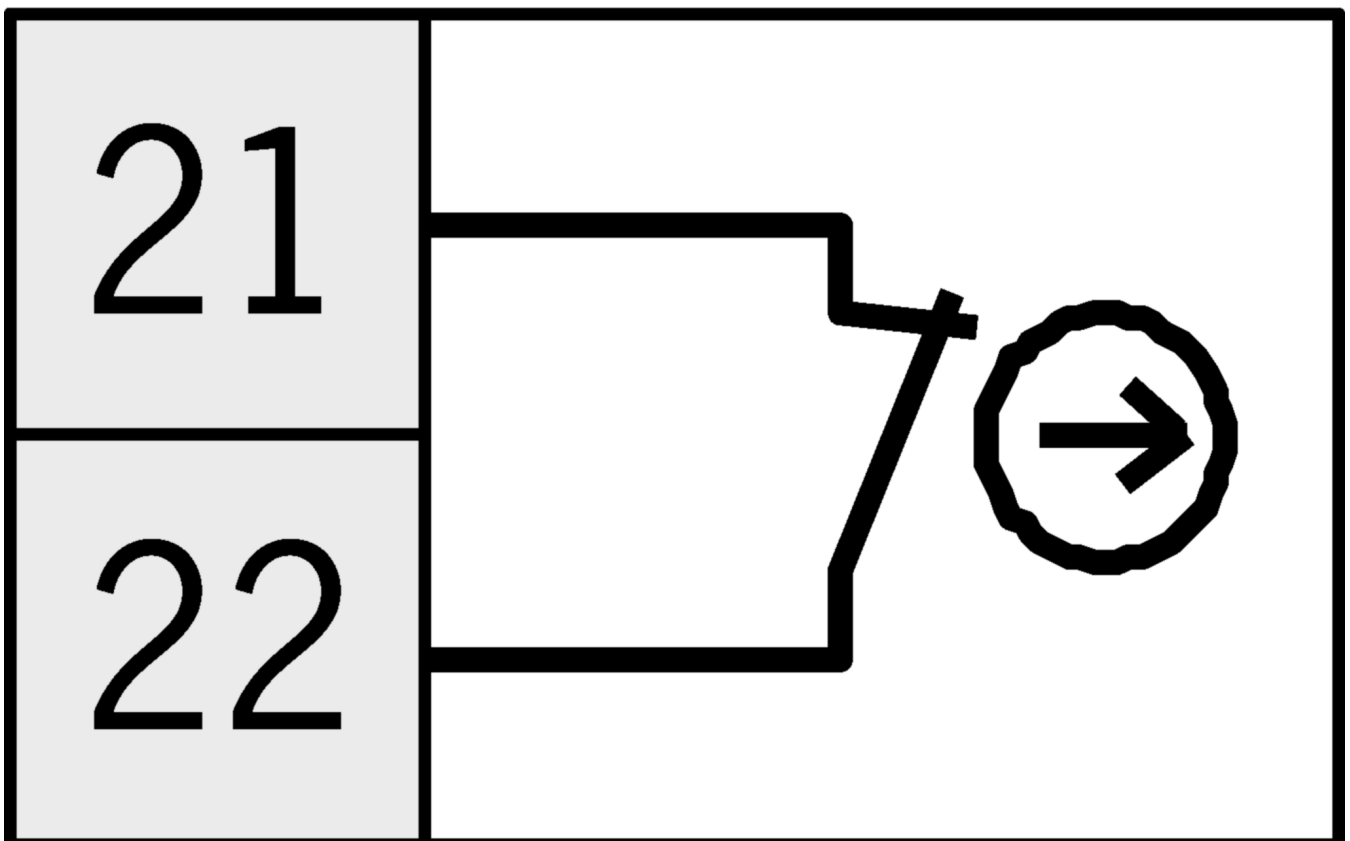
5 Actuators (dogs) must be connected to the machine in a flush position.

6 Switch can be replaced only with the same type.

7 Pressure sensitive label 041734 applied.

Connection examples

ES 508



Connection examples

ES 502 E

