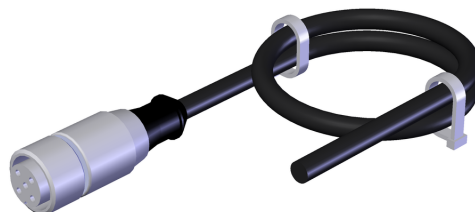
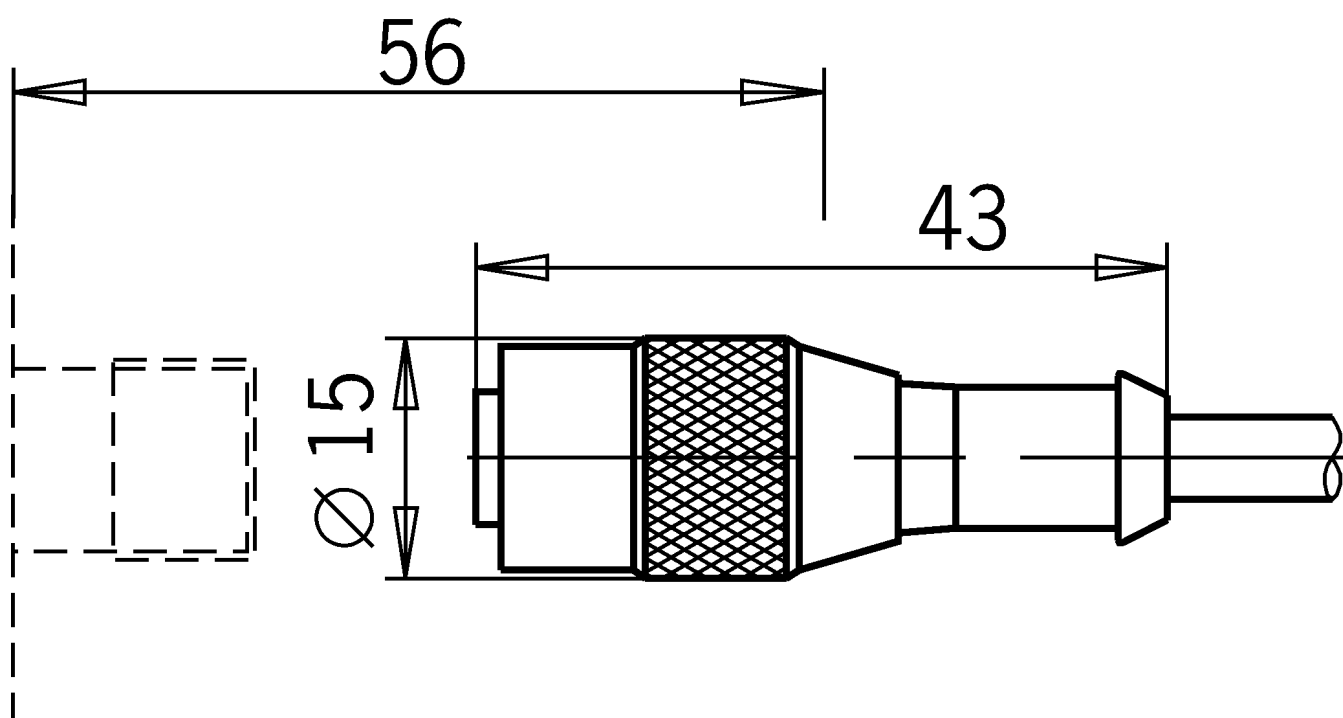
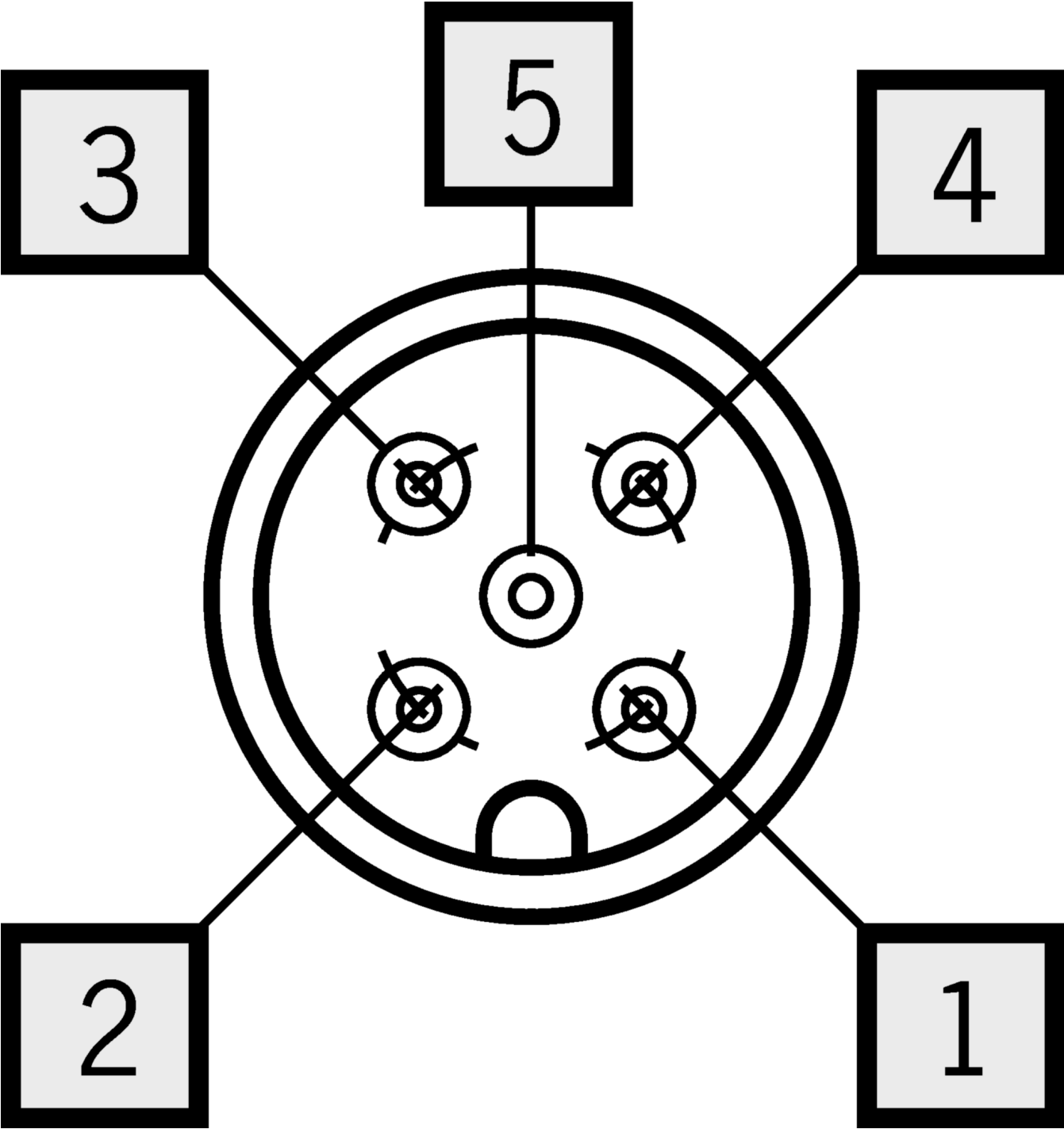


**C-M12F05-05X050PU05,0-GA-073461 (Order no. 073461)****Connecting cable with straight plug connector M12, 5-pin, 5 m**

- ▶ M12 female plug, 4-pin + PE
- ▶ Straight plug connector
- ▶ PUR cable
- ▶ Halogen-free
- ▶ Cable length 5 m
- ▶ With flying lead
- ▶ Cores color-coded

**Dimensional drawings**

Connection examples



## Technical data

### Approvals



### Electrical connection values

Rated voltage	DC	63 V
---------------	----	------

Test voltage		1.5 kV (eff./60s)
--------------	--	----------------------

#### Connection 1

Degree of contamination according to EN 60664-1		3
---	--	---

### Mechanical values and environment

Conductor cross-section		0.50 mm <sup>2</sup>
-------------------------	--	----------------------

Number of conductors		5
----------------------	--	---

Dynamic bending radius		10 x cable diameter
------------------------	--	---------------------

Static bending radius		5 x cable diameter
-----------------------	--	--------------------

Storage temperature		-25 ... 80 °C
---------------------	--	---------------

Cable type		straight
------------	--	----------

Cable diameter	approx.	6 mm
----------------	---------	------

Cable length		5 m
--------------	--	-----

Drag chain suitability		Yes
------------------------	--	-----

Cable ambient temperature (dynamic)		-25 ... 80 °C
-------------------------------------	--	---------------

Cable ambient temperature (static)		-25 ... 80 °C
------------------------------------	--	---------------

Material	Sheath	PUR
----------	--------	-----

#### Connection 2

Conductor end		trimmed smooth
---------------	--	----------------

Connection type		flying lead
-----------------	--	-------------