

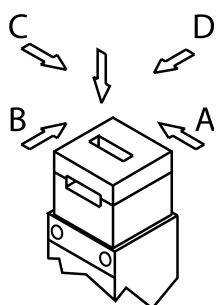
## NX1-3131A-M (Order no. 092626)

### Safety switch NX, cable entry M20 x 1.5

- ▶ 3x cable entry M20 x 1.5
- ▶ 2 pos. driven contact
- ▶ 2 NO contacts



### Approach direction



Horizontal and vertical  
Can be adjusted in 90° steps

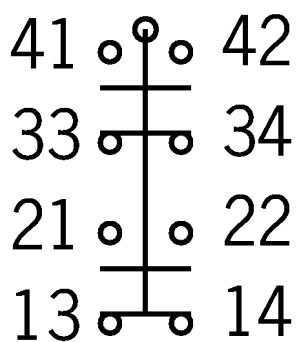
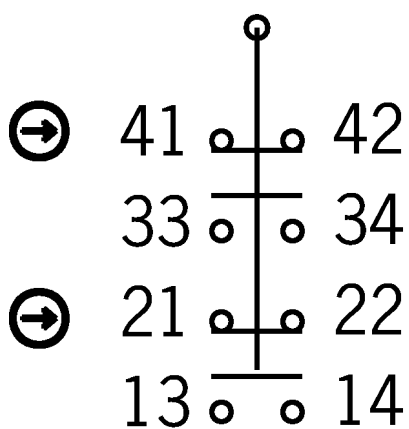
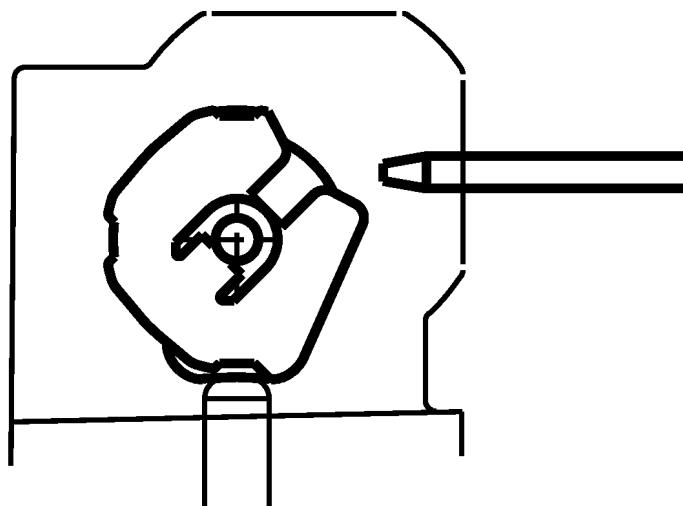
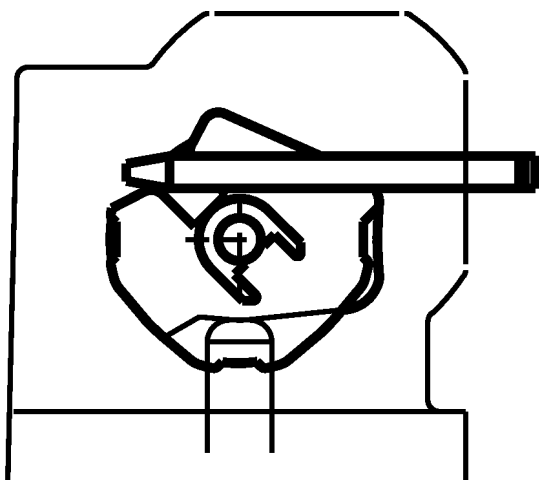
### Switching element

3131 Slow-action switching contact 2 positively driven contacts  $\ominus$ + 2 NO contact

### Accessories required

Actuator is not included.

## Functional drawings



## Dimensional drawings

