

MGB2-L1HB-PN-U-S4-MA-R-161652 (Order no. 161652)

Complete set MGB2-L1...-PN (2 pushbuttons, emergency stop, closed-circuit current principle, door hinge on right)

- ▶ Guard locking with guard lock monitoring
- ▶ Illuminated emergency stop according to ISO 13850
- ▶ 2 illuminated white pushbuttons with symbol
- ▶ 3 slide-in labels
- ▶ Connection via plug connector M12, D-coded
- ▶ Integrated switch
- ▶ Adjustable door hinge; factory setting: right
- ▶ Unicode



Guard locking type

MGB2- Guard locking by spring force. Release by applying voltage to the guard locking solenoid.
L1... (closed-circuit current principle)

PROFINET connection

Plug connector M12 D-coded (7/8" plug and M12 plug, D-coded) according to IEC 61076-2-101

PROFINET switch

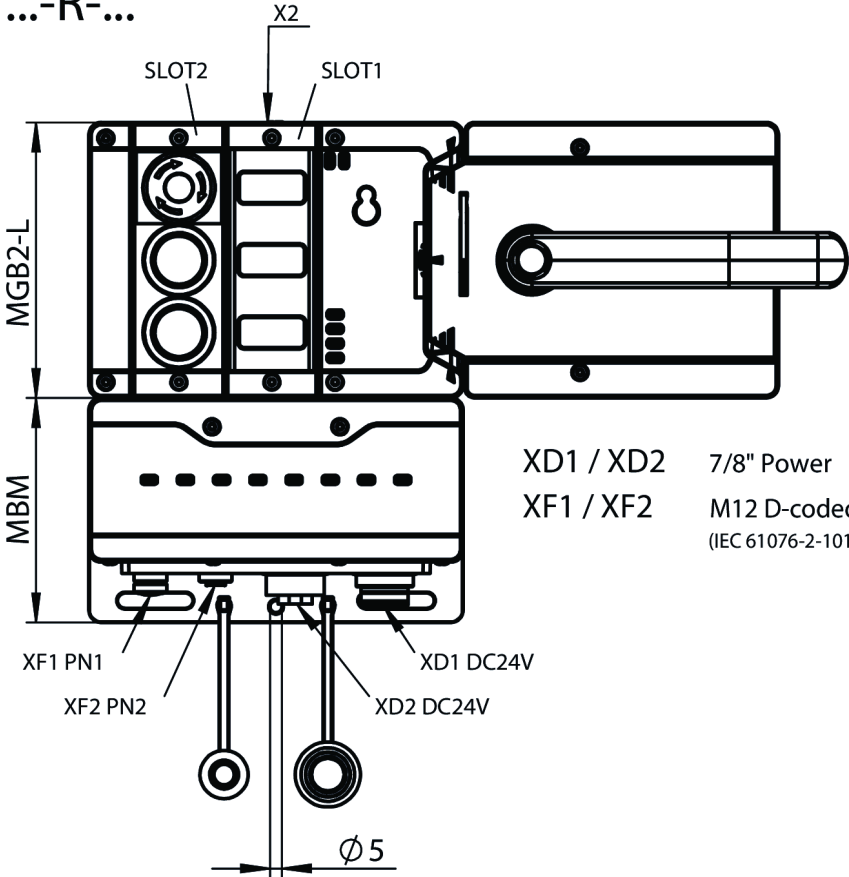
Linear topology network structure due to integrated switch (supports MRP).

Slide-in labels

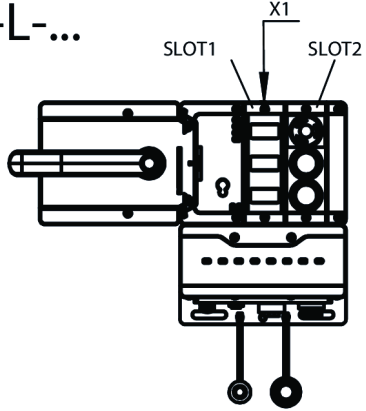
The user can produce custom labeling using the enclosed slide-in labels. (3 pcs., blank)

Dimensional drawings

...-R-...



...-L-...



Dimensional drawings

