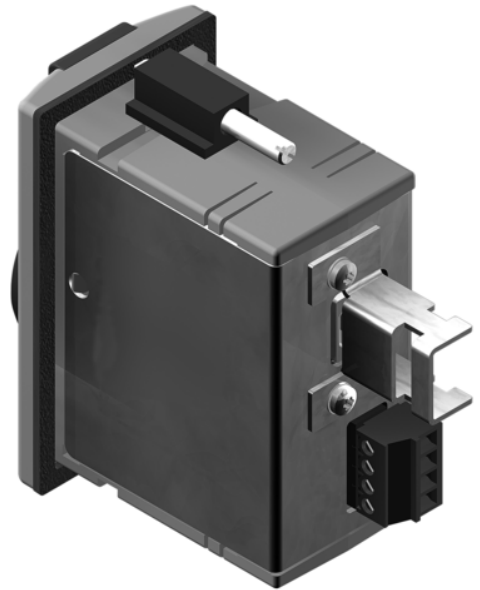


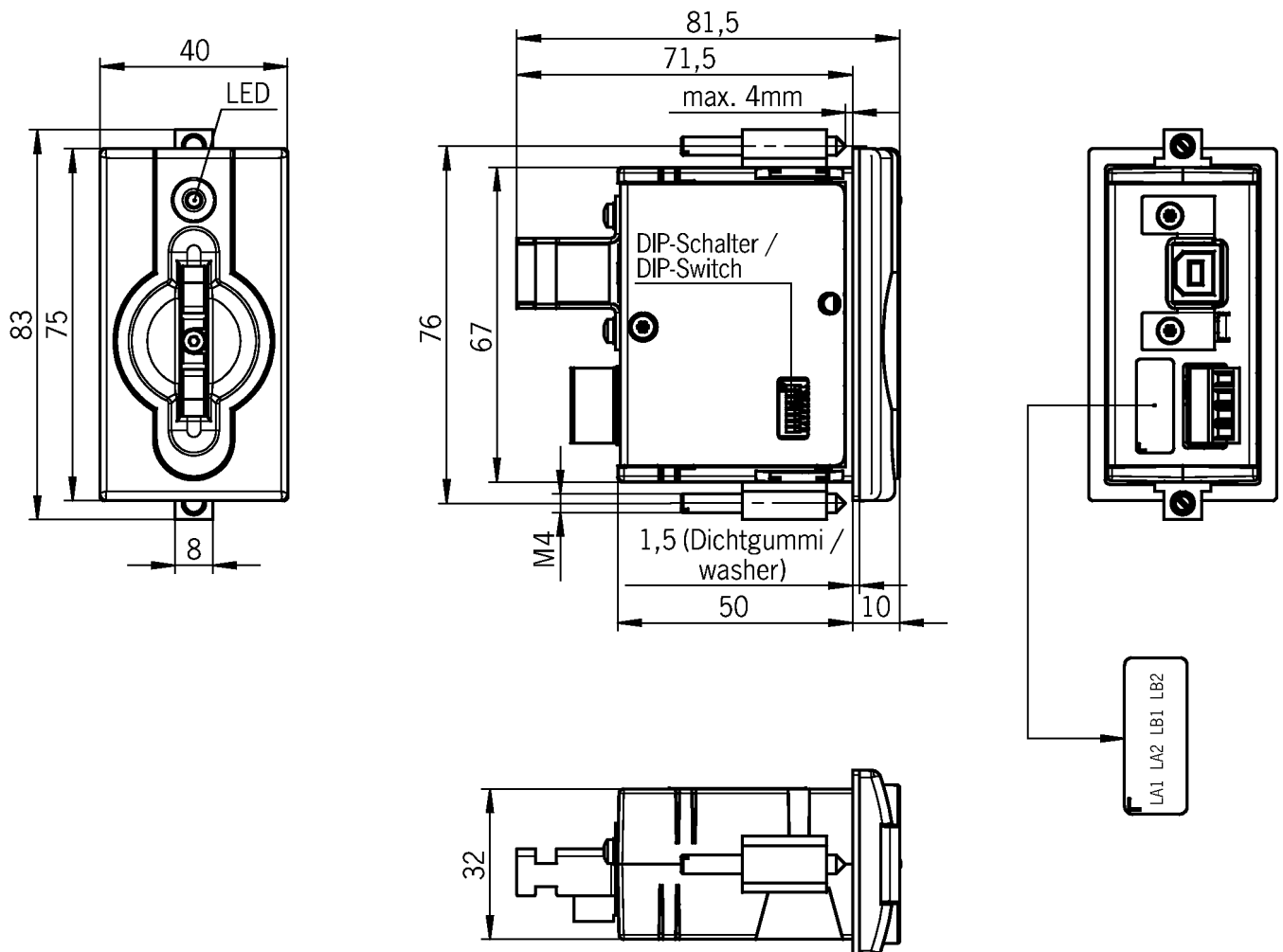
EKS-A-IUXA-G01-ST01/04 (Order no. 098513)

Electronic-Key adapter with USB interface, version FSA

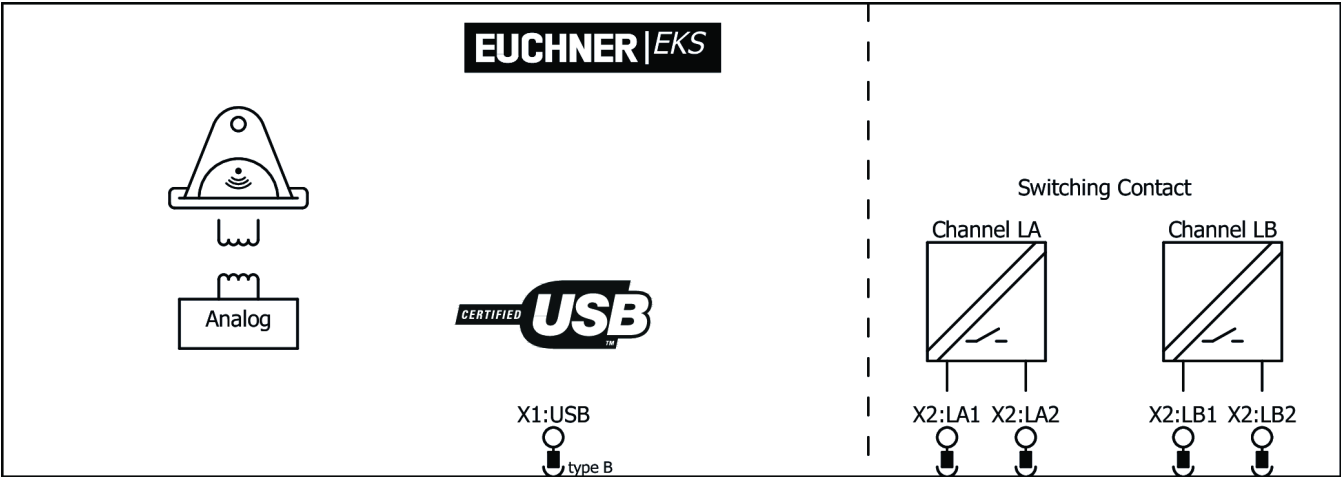
- ▶ Electronic-Key adapter with USB interface
- ▶ Read/write system
- ▶ Power supply via USB interface
- ▶ Electronic-Key adapter and electronics in one housing
- ▶ Reliable retention of the Electronic-Key, even if there is heavy vibration
- ▶ Transfers the data from the Electronic-Key to a control system for processing
- ▶ Connection to PC
- ▶ Virtual serial COM port
- ▶ Open communication commands at the lowest level
- ▶ 3964R protocol
- ▶ Connection to the user software possible via ActiveX® module under Windows®
- ▶ Version FSA (For Safety Applications)



Dimensional drawings

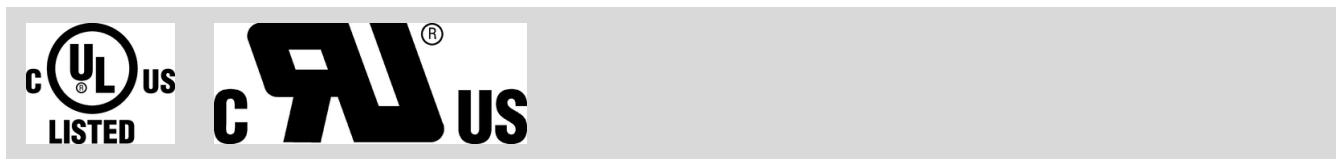


Connection examples



Technical data

Approvals



Operating and display elements

LED display

- green operational
- yellow Key in actuating range

Electrical connection values

Current consumption	max. 100 mA
Connection 2	
Connection cross section	0.14 ... 1.5 mm ²
Discrepancy time	200 ms Difference time between outputs (LB first) (If access on the interface takes place during the insertion or removal of the Electronic-Key, the simultaneity time can be more than 200 ms.)
Utilization category	
	AC-15 24V 50mA
	AC-12 24V 50mA
	DC-12 24V 50mA
	DC-13 24V 50mA
Switching voltage	24 ... 30 V
Switching current	1 ... 10 ... 50 mA with short circuit protection max. 100 times

Mechanical values and environment

Installation orientation	on the front
Storage temperature	-25 ... 70 °C
Mounting cut-out	33 x 68 mm
Degree of protection	
in mounted condition (only access side)	IP67