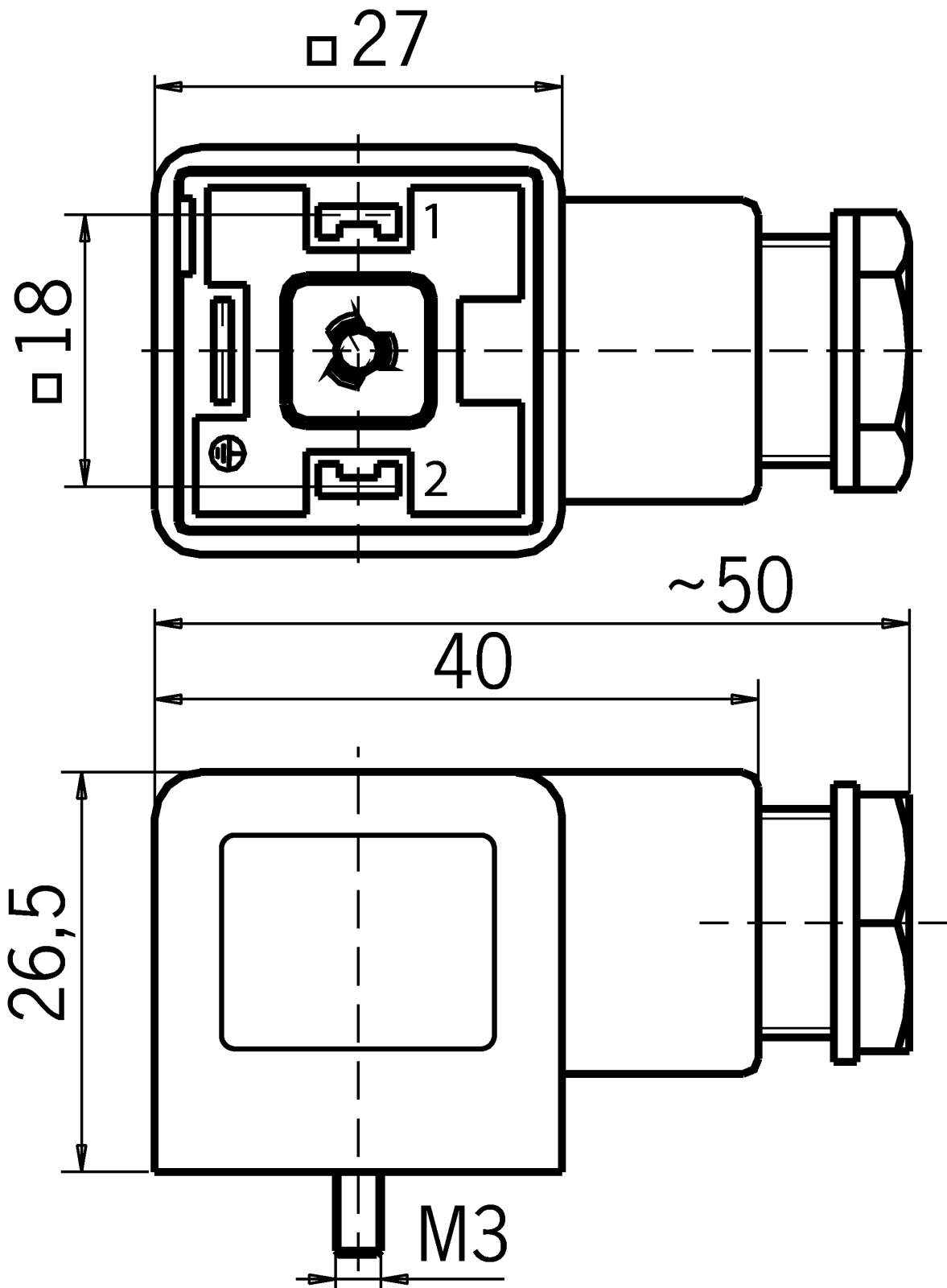


**STECKVERBINDER FUER MAGNETVERRIEG. (Order no. 028345)****Solenoid plug for safety switch NZ.VZ.VS**

▶ Without rectifier for the connection of DC.

Dimensional drawings



## Technical data

### Electrical connection values

Connection cross section	max. 1.5 mm <sup>2</sup>
Rated voltage	250 V
Rated current I	16000 mA

### Mechanical values and environment

Connection type	Screw terminal
Connection type	Female plug
Plug connector designation	GDM 2011
Storage temperature	-40 ... 125 °C
Cable outlet	Angle
Cable diameter	
	Clamping range 6 ... 9 mm
Number of pins	3 (2+PE)
Degree of protection	IP65 (Seal required)
Plug lock	Screw connection
Ambient temperature	-40 ... 125 °C
Material	
	Plug housing Plastic

## Downloads

All documentation for this material can be found on our website:

<https://www.euchner.de/en-us/a/028345/?#downloads-tab>