

EKS-A-K1GNWT32-EU (Order no. 094839)

Electronic-Key read/write

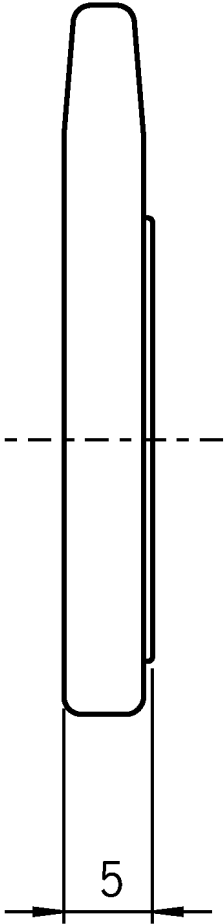
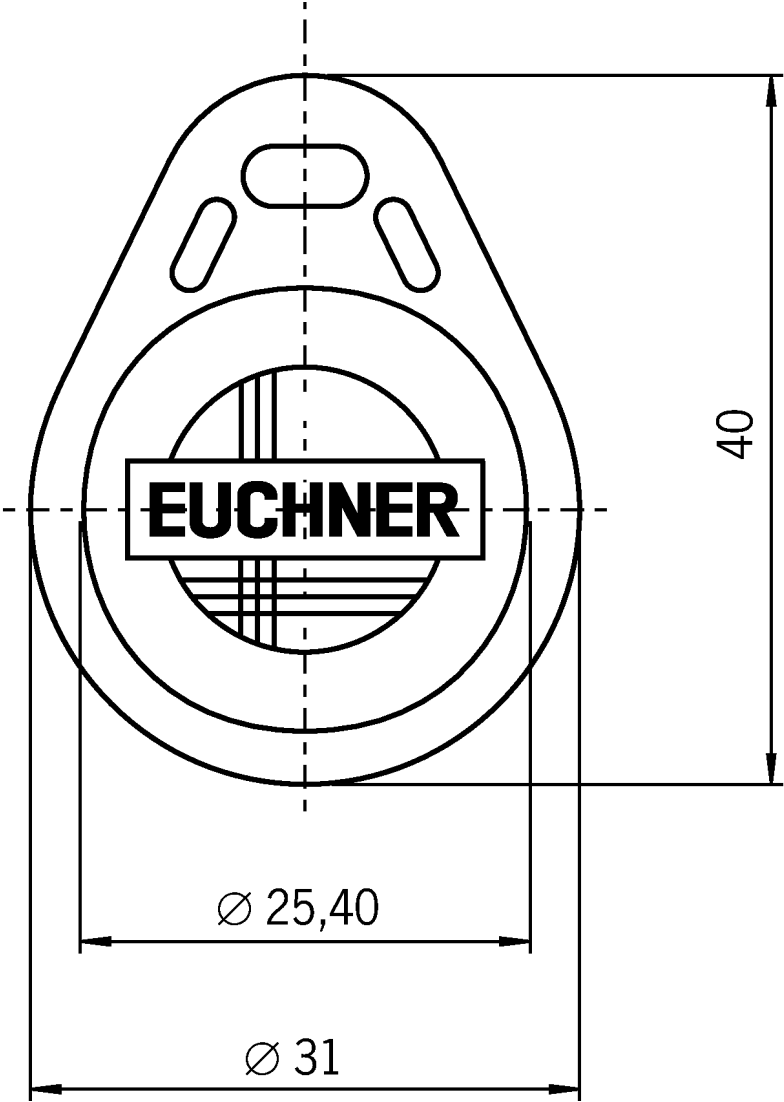
- ▶ Memory 116 bytes E²PROM (programmable) plus 8 bytes ROM (serial number)



Special features

- ▶ The Electronic-Key contains a unique 8-byte serial number. This number is written by laser during the Electronic-Key production process and is stored absolutely indestructibly. The serial number is used for secure distinction of every single Electronic-Key.

Dimensional drawings



Technical data

Electrical connection values

Number of read cycles	not limited
Number of write cycles	min. 100000
Data retention time	min. 10 y at +55 °C
Length of serial number	8 B (Serial number read only)
Power supply	Inductive via key adapter
Storage capacity	116 B read/write

Mechanical values and environment

Storage temperature	-25 ... 70 °C
Degree of protection	IP65/IP67
Ambient temperature	-20 ... 60 °C
Material	
	Housing ABS, green