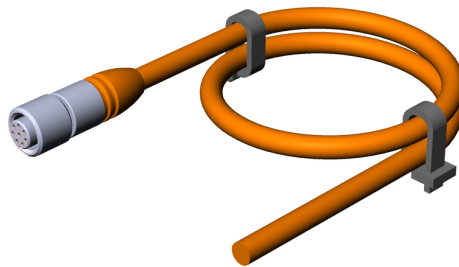


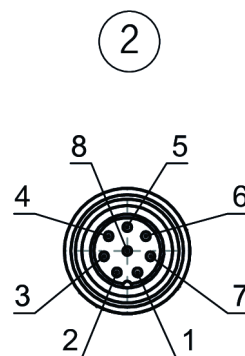
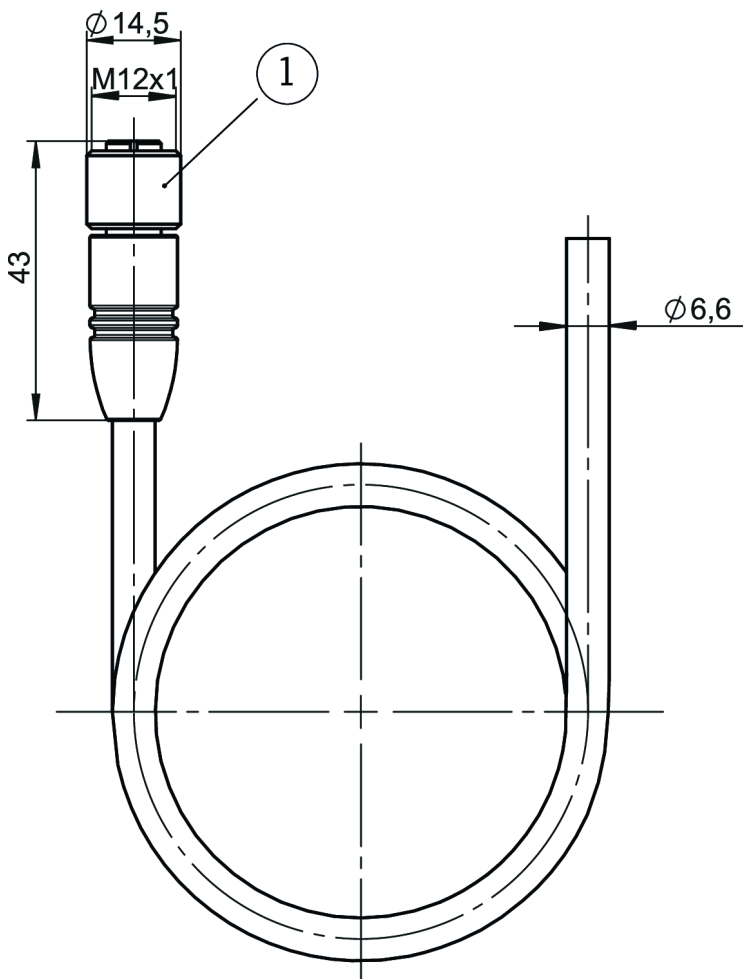
## C-M12F08-08X025PV05,0-GA-077751 (Order no. 077751)

### Connecting cable with plug connector M12, 8-pin, 5 m

- ▶ M12 female plug, 8-pin
- ▶ Straight plug connector
- ▶ PVC cable, screened
- ▶ Cable length 5 m
- ▶ With flying lead



### Dimensional drawings



Pin 1	=	WH
Pin 2	=	BN
Pin 3	=	GN
Pin 4	=	YE
Pin 5	=	GY
Pin 6	=	PK
Pin 7	=	BU
Pin 8	=	RD

1 Female plug M12, 8-pin

2 Terminal assignment as seen from the connection side

## Technical data

### Approvals



### Electrical connection values

Rated voltage	30 V
Cable shielding	connected to union nut (Cu braid, coverage approx. 85%)

### Mechanical values and environment

Conductor identification	Color code
Conductor cross-section	0.25 mm <sup>2</sup>
Number of conductors	8
Dynamic bending radius	15 x cable diameter
Static bending radius	8 x cable diameter
Storage temperature	-25 ... 70 °C
Cable type	straight
Cable diameter	approx. 6.6 mm
Cable length	5 m
Drag chain suitability	No
Cable ambient temperature (dynamic)	5 ... 70 °C
Cable ambient temperature (static)	-25 ... 70 °C
Material	Sheath PVC

#### Connection 2

Conductor end	trimmed smooth
Connection type	flying lead

#### Connection 1

Connection type	Plug connector M12
Connection type	Female plug

Tightening torque	0.5 Nm
Cable outlet	straight
Number of pins	8
Degree of protection	IP67 (in the screwed tight state)
Plug lock	Screw connection
Material	Plug housing Plastic