

CEM-A-LH10R-S3 (Order no. 095793)

Read head CEM-A-LH10R-S3 with guard locking without guard lock monitoring without remanence

- ▶ Read head with guard locking without guard lock monitoring
- ▶ Locking force 1000 N
- ▶ Without remanence
- ▶ Up to category 4 according to EN ISO 13849-1



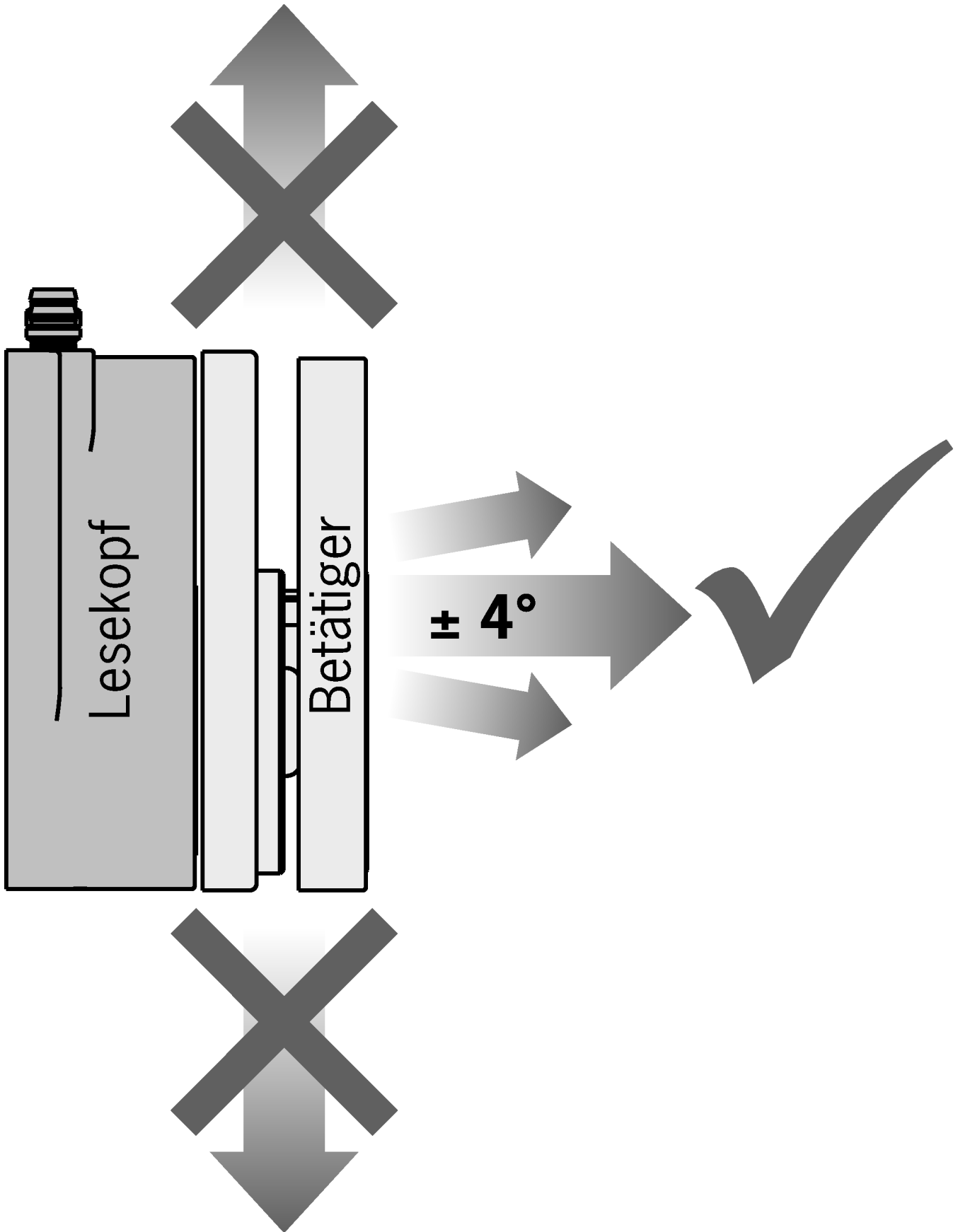
Combination options

Suitable for connection to a CES-AZ evaluation unit

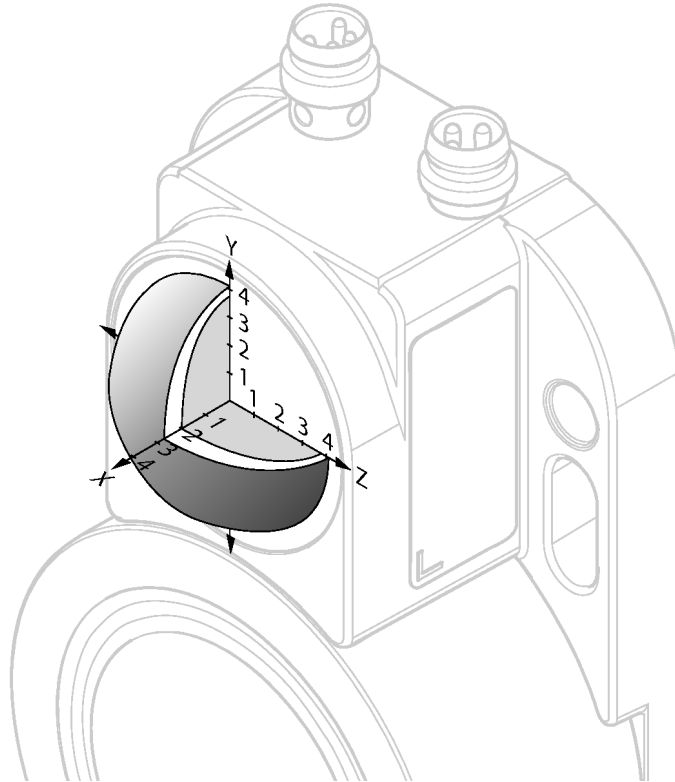
Without remanence

Read heads without remanence are de-magnetized when the solenoid is switched off. For this purpose the operating voltage U_B must always be applied.

Approach direction



Typical operating distance



Note assured release distance $s_{ar} = 20$ mm for internal component failure. Safety outputs are safely switched off.