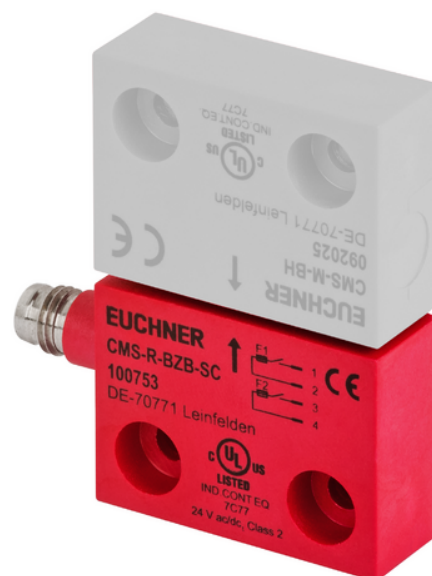


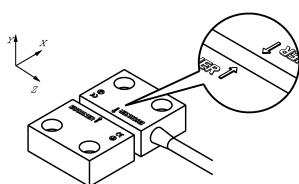
CMS-R-BXP-SC (Order no. 100756)

Read heads CMS, design B – with NO contact combinations, M8

- ▶ In combination with evaluation unit CMS-E-AR
- ▶ Cube-shaped version, 36 x 26 mm
- ▶ NO contacts wired in series
- ▶ With plug connector M8

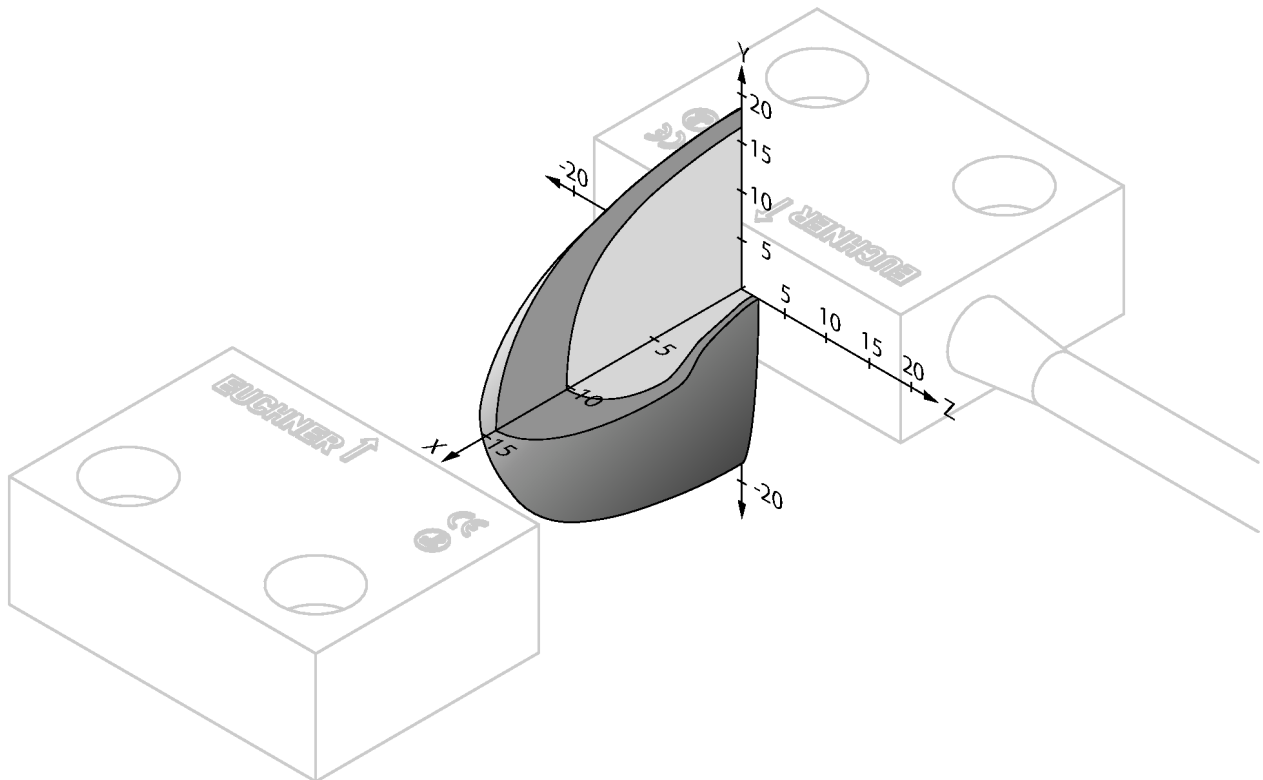


Alignment of read head and actuator



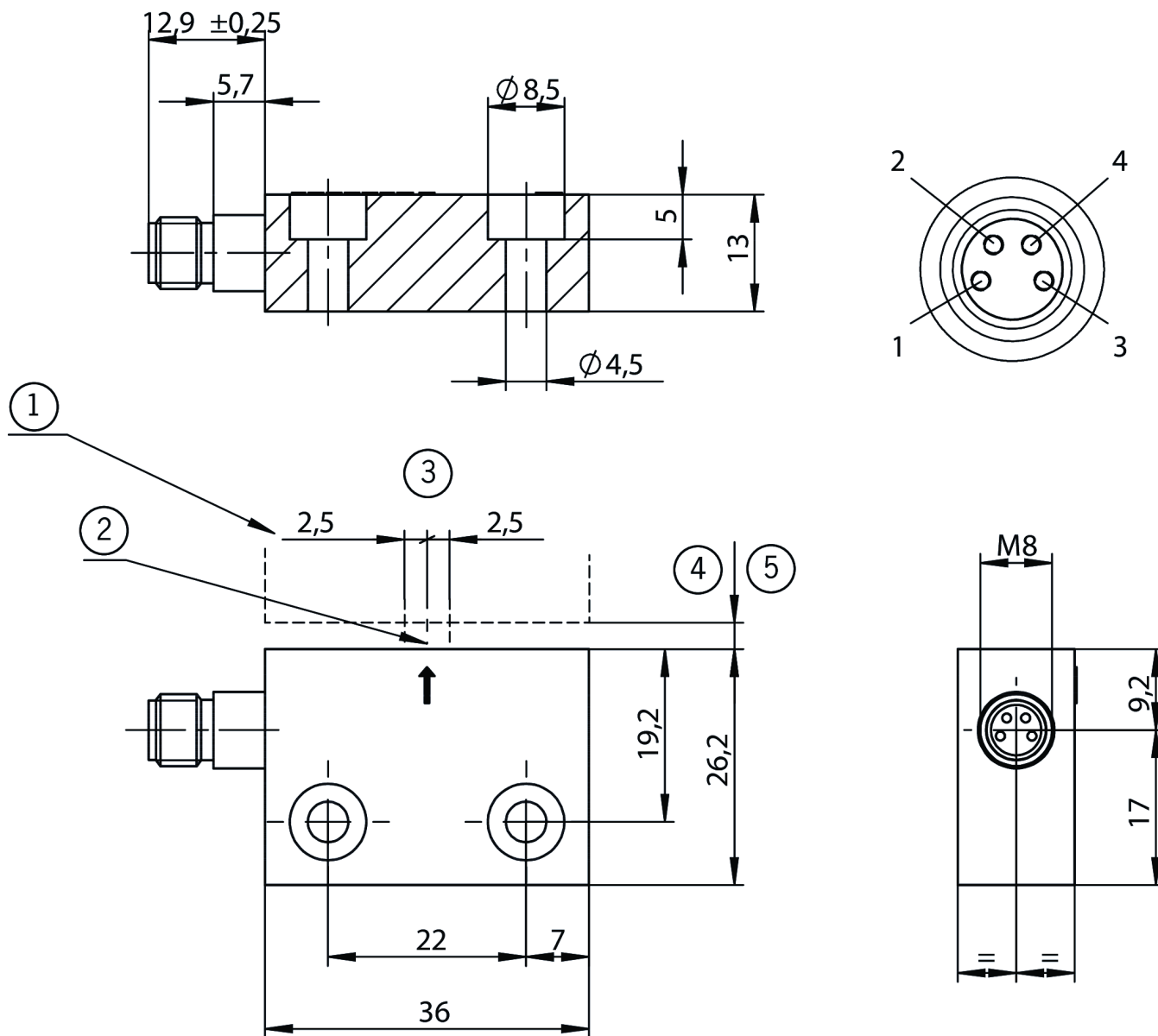
Operating diagram, design B

CMS-R-BXP



- ▶ Typ. operating distance
- ▶ Typ. release distance

Dimensional drawings



- 1 Actuator
- 2 Active face
- 3 Center offset m at s=3 mm
- 4 Sao
- 5 Assured operating distance