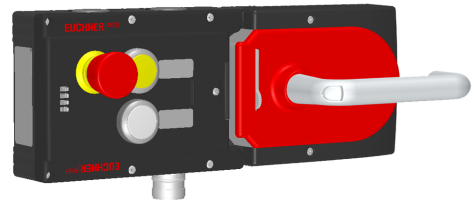


## MGB-L1H-ARA-R-110613 (Order no. 110613)

### Locking set MGB-L1H-ARA... (guard locking by spring force) with 2 pushbuttons, emergency stop, incl. label carrier, RC18

- ▶ Guard locking with guard lock monitoring
- ▶ Can be connected in series with other AR devices (e.g. CES-AR and CET-AR)
- ▶ Emergency stop according to ISO 13850
- ▶ 2 pushbuttons (illuminated, ye, wh)
- ▶ incl. adhesive labels
- ▶ With plug connector RC18
- ▶ Unicode



#### Guard locking type

MGB- The locking arm is held in the locked position by spring force and is unlocked by solenoid force  
 L1... (closed-circuit current principle, mechanically locked).

#### Door hinge

A mechanical door stop is permanently integrated into the evaluation module of the MGB. A marking on the stop makes adjustment easier.

#### LED indicator

The LED indicator indicates all important system and status information.

#### Monitoring outputs

OT Bolt tongue inserted into the evaluation module

OI Diagnostics; there is a fault

#### Emergency stop device

S1 2 positively driven contacts, emergency stop with turn-to-reset, not illuminated

#### Pushbuttons

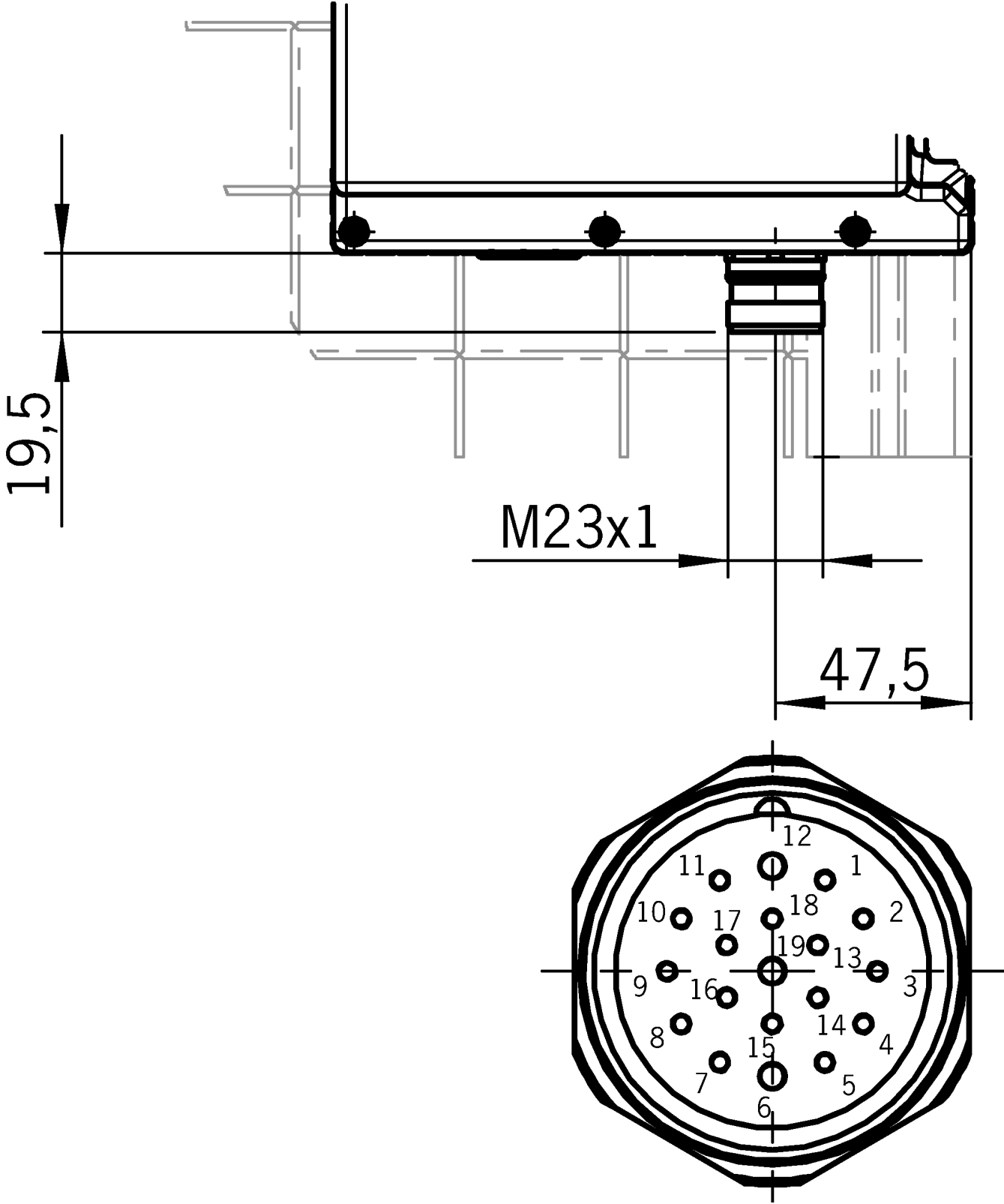
S2 1 NO contact, yellow, illuminated

S3 1 NO contact, white, illuminated

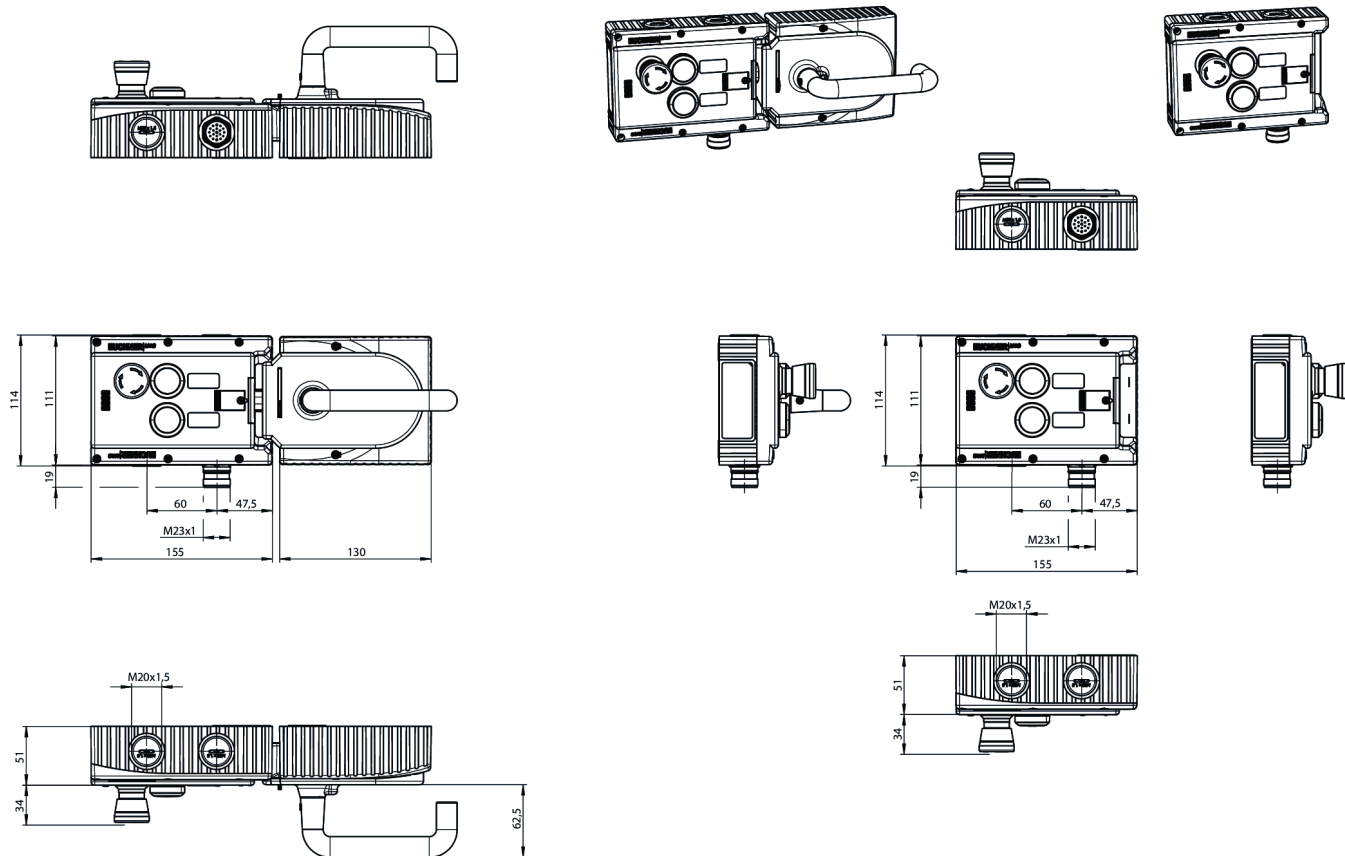
#### Adhesive labels

Devices with adhesive labels have pre-formed recesses. The adhesive labels enclosed (standard size 12.5 x 27 mm) can be affixed in these recesses.

Dimensional drawings



## Dimensional drawings



## Connection examples

