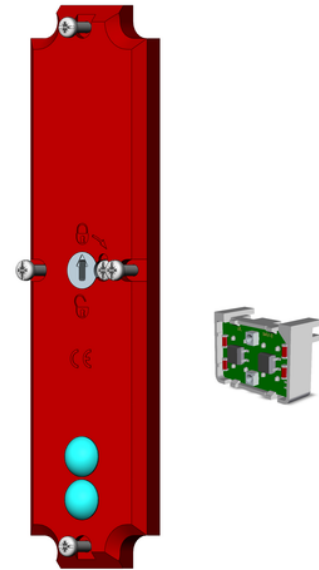


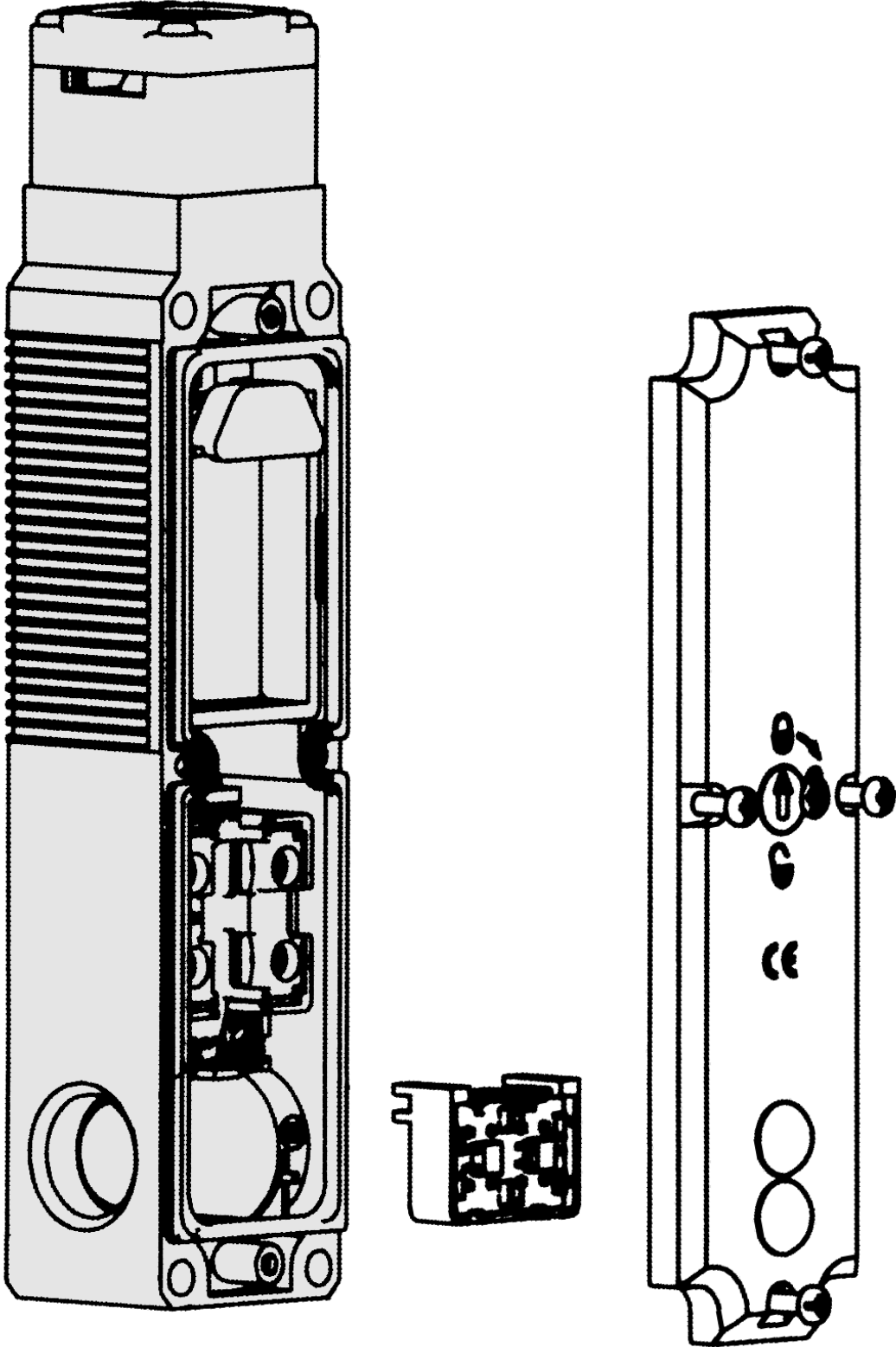
## STP LED SET (Order no. 098035)

LED set



Consisting of cover with lamp caps, LED module with rectifier and two LEDs (green/ red). For retrofitting safety switches TP and STP with an LED indicator. Operating voltage AC/DC 24 V +10%, -15%.

Dimensional drawings



## Technical data

### Operating and display elements

LED display 2 LEDs, red and green

### Electrical connection values

Display module 24 V -15% ... +10%

Operating voltage

LED AC/DC 24  
(LED with rectifier)

### Mechanical values and environment

Storage temperature -25 ... 70 °C