

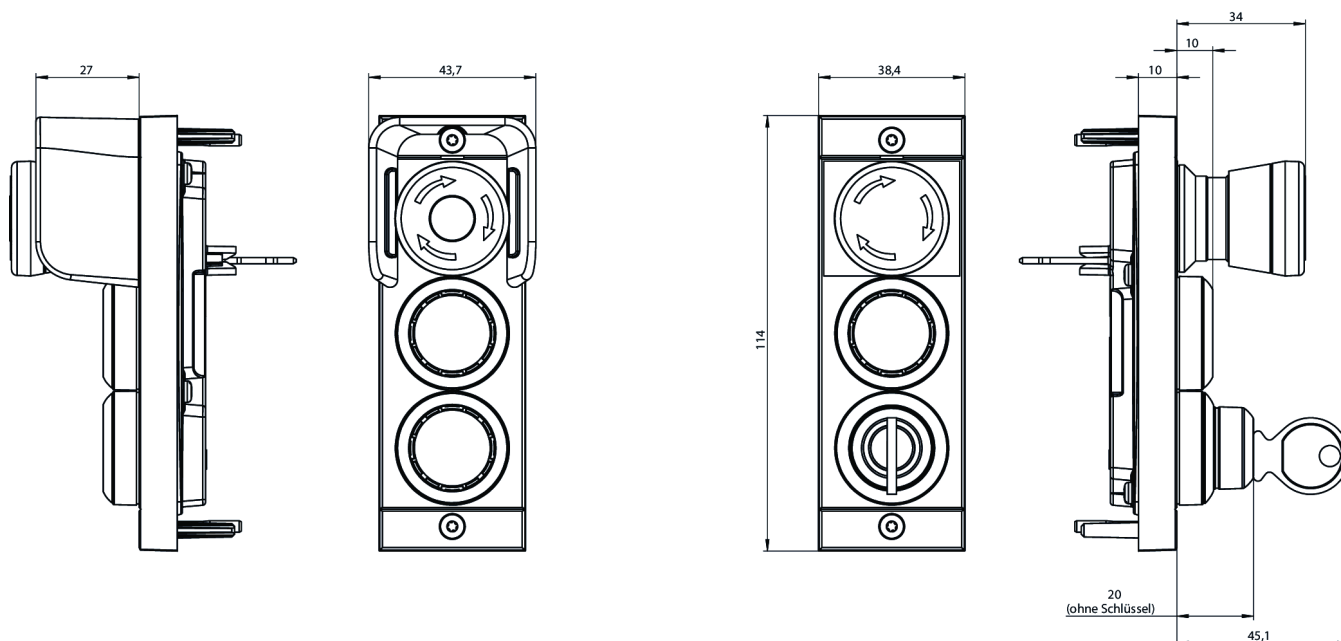
MSM-1-P-CS-BPP-A5-126381 (Order no. 126381)

Submodule MSM-1-P... (illuminated emergency stop with protective collar, 2 illuminated pushbuttons)

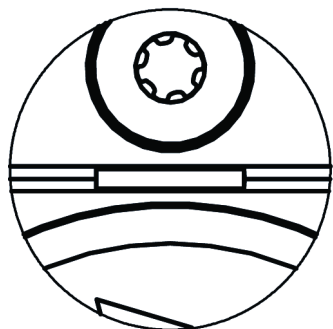
- ▶ Function expansion for modules MGB2 and MCM
- ▶ Connection type: P
- ▶ 1 illuminated emergency stop with protective collar according to ISO 13850
- ▶ 2 illuminated pushbuttons
- ▶ incl. lens set



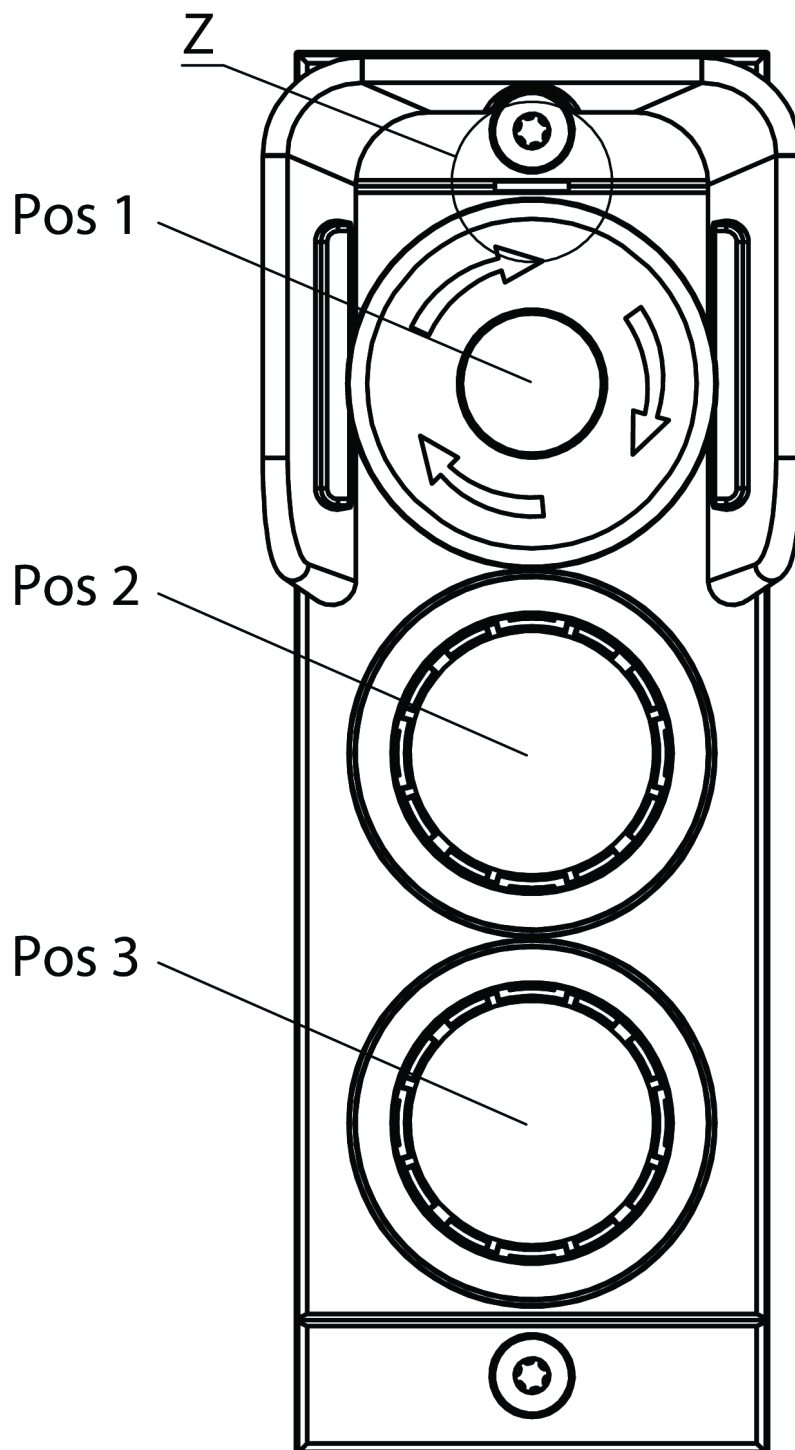
Dimensional drawings



Dimensional drawings



Z 2:1



Pos 1 Emergency stop according to ISO 13850

Pos 2 Illuminated pushbutton

Pos 3 Illuminated pushbutton

Z marks orientation of item 1

Connection examples

