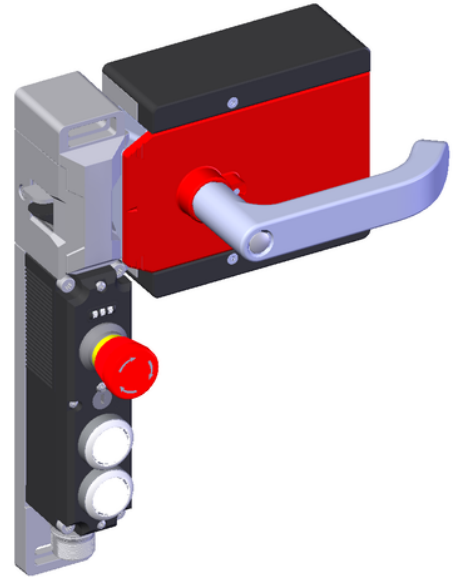


MGBS-P-L1H-AR-U-R-SH-161563 (Order no. 161563)

MGBS set AR, M23, emergency stop, 2 pushbuttons, door hinge on right

- ▶ Locking module with handle module
- ▶ suitable for doors hinged on the right
- ▶ Series connection possible (up to 20 AR devices in series)
- ▶ Short circuit monitoring
- ▶ 2 safety outputs (semiconductor outputs)
- ▶ Up to category 4 / PL e according to EN ISO 13849-1
- ▶ Emergency stop
- ▶ 2 pushbuttons (illuminated)
- ▶ With plug connector M23
- ▶ Unicode
- ▶ Door position monitoring output



Unicode evaluation

Each handle module is highly coded (unicode). The locking module detects only handle modules that have been taught-in. Additional handle modules can be taught-in. Only the last handle module taught-in is detected.

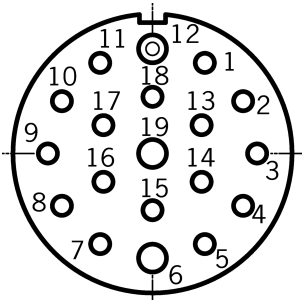
Guard locking type

MGBS- Guard locking actuated by spring force and power-ON released (closed-circuit current
L1 principle).

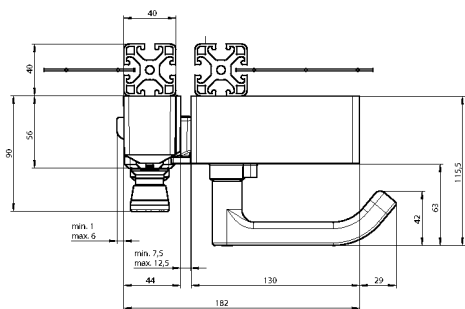
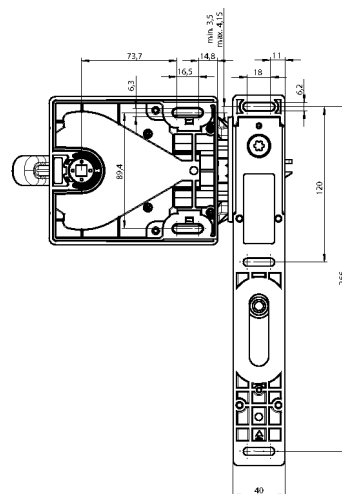
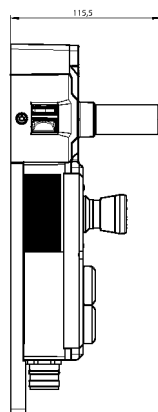
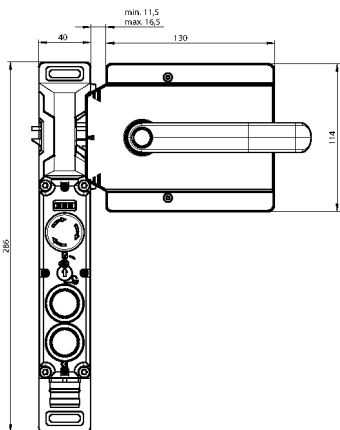
Lens set

The color of the pushbuttons can be selected using the color cover set included (5 colors).

Connector assignment

Plug connector (view of connection side)	Pin	Designation	Function	Connecting cable conductor coloring
	1	IMP	Solenoid operating voltage, 24 V DC	VT
	2	FI1A	Enable input, channel A	RD
	3	FI1B	Enable input, channel B	GY
	4	FO1A	Safety output, channel A	RD/BU
	5	FO1B	Safety output, channel B	GN
	6	UB	Electronics operating voltage, 24 V DC	BU
	7	RST	Reset input	GY/PK
	8	OD	Door position monitoring output	GN/WH
	9	OI	Diagnostic monitoring output	YE/WH
	10	S1.A1	EMERGENCY STOP (channel A)	GY/WH
	11	S1.A2	EMERGENCY STOP (channel A)	BK
	12	FE	Functional earth (must be connected to meet the EMC requirements)	GN/YE
	13	S1.B1	EMERGENCY STOP (channel B)	PK
	14	S1.B2	EMERGENCY STOP (channel B)	BN/GY
	15	S2	Pushbutton 2 (illuminated)	BN/YE
	16	H2	LED 2	BN/GN
	17	S3	Pushbutton 3 (illuminated)	WH
	18	H3	LED 3	YE
	19	0 V	Electronics and solenoid operating voltage, 0 V DC	BN

Dimensional drawings



Connection examples

