

MGBS-P-I-AP-U-R-ZZE-SBB-162926 (Order no. 162926)

MGBS-P-I-AP, emergency stop, 2 x M12

- ▶ Interlocking module without guard locking (order handle module separately)
- ▶ Adjustable door hinge; factory setting: right
- ▶ Direct connection to decentralized peripheral systems (e.g. ET200pro)
- ▶ Short circuit monitoring
- ▶ 2 safety outputs (semiconductor outputs)
- ▶ Up to category 4 / PL e according to EN ISO 13849-1
- ▶ With 2 plug connectors M12
- ▶ Unicode
- ▶ Emergency stop



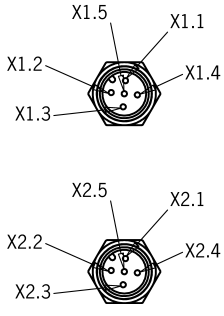
Door hinge

The door hinge can be changed.

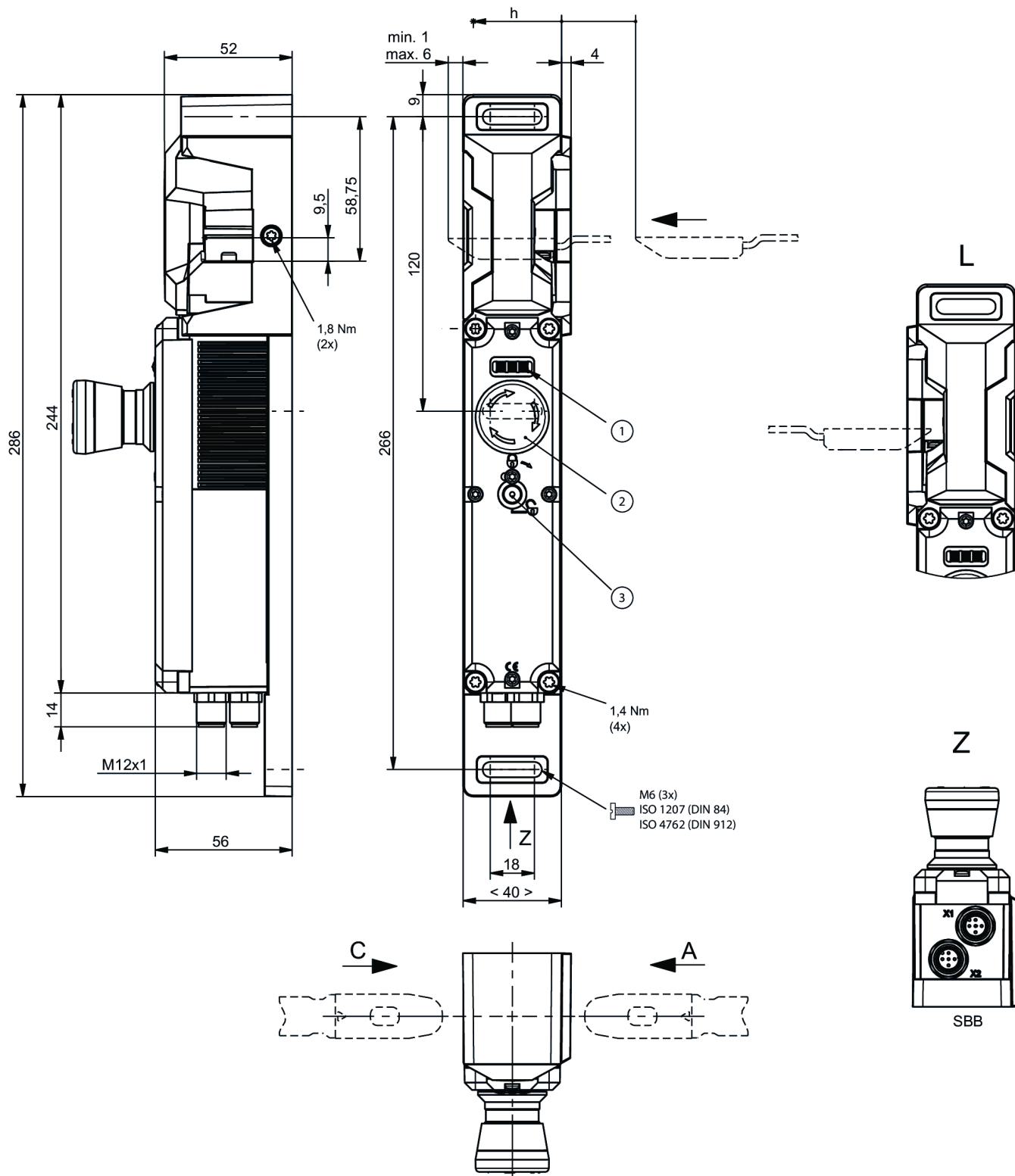
Unicode evaluation

Each handle module is highly coded (unicode). The locking module detects only handle modules that have been taught-in. Additional handle modules can be taught-in. Only the last handle module taught-in is detected.

Connector assignment

Plug connector (view of connection side)	Pin	Designation	Function	Connecting cable conductor coloring
	X 1.1	UB	Electronics operating voltage, 24 V DC	BN
	X 1.2	FO1A	Safety output, channel A	WH
	X 1.3	0VUB	Electronics operating voltage, 0 V DC	BU
	X 1.4	FO1B	Safety output, channel B	BK
	X 1.5	-	n.c.	GY
	X 2.1	S1.A1	EMERGENCY STOP (channel A)	BN
	X 2.2	S1.B1	EMERGENCY STOP (channel B)	WH
	X 2.3	-	n.c.	BU
	X 2.4	S1.A2	EMERGENCY STOP (channel A)	BK
	X 2.5	S1.B2	EMERGENCY STOP (channel B)	GY

Dimensional drawings



- 1 LEDs
- 2 EMERGENCY STOP
- 3 Auxiliary release (no function)