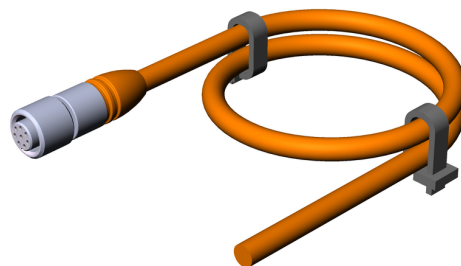


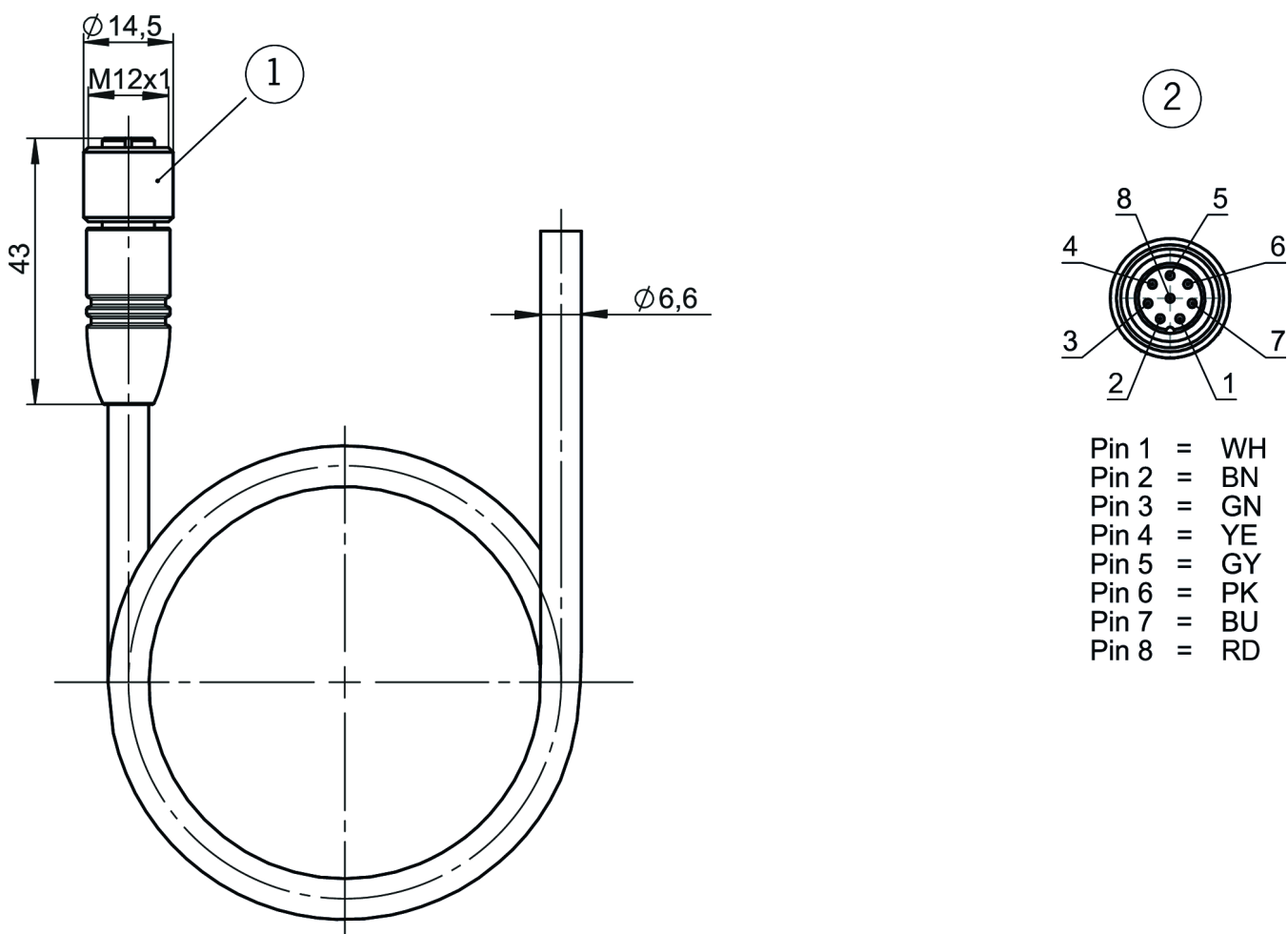
C-M12F08-08X025PV50,0-GA-077873 (Order no. 077873)

Connecting cable with plug connector M12, 8-pin, 50 m

- ▶ M12 female plug, 8-pin
- ▶ Straight plug connector
- ▶ PVC cable, screened
- ▶ Cable length 50 m
- ▶ With flying lead



Dimensional drawings



1 Female plug M12, 8-pin

2 Terminal assignment as seen from the connection side

Technical data

Approvals



Electrical connection values

Rated voltage	30 V
Cable shielding	connected to union nut (Cu braid, coverage approx. 85%)

Mechanical values and environment

Conductor identification	Color code
Conductor cross-section	0.25 mm ²
Number of conductors	8
Dynamic bending radius	15 x cable diameter
Static bending radius	8 x cable diameter
Storage temperature	-25 ... 70 °C
Cable type	straight
Cable diameter	approx. 6.6 mm
Cable length	50 m
Drag chain suitability	No
Cable ambient temperature (dynamic)	5 ... 70 °C
Cable ambient temperature (static)	-25 ... 70 °C
Material	Sheath PVC

Connection 2

Conductor end	trimmed smooth
Connection type	flying lead

Connection 1

Connection type	Plug connector M12x1
Connection type	Female plug

Tightening torque	0.5 Nm
Cable outlet	straight
Number of pins	8
Degree of protection	IP67 (In the inserted and screwed tight state)
Plug lock	Screw connection
Material	
	Plug housing TPU
	Plug housing Plastic