

MGB2-L1H-MLI-U-CA-R-164662 (Order no. 164662)

Locking set MGB2-L1... (3 pushbuttons, emergency stop, closed-circuit current principle, door hinge on right)

- ▶ Guard locking with guard lock monitoring
- ▶ 3 illuminated pushbuttons with symbol
- ▶ 1 illuminated emergency stop according to ISO 13850
- ▶ Adjustable door hinge; factory setting: right
- ▶ Unicode
- ▶ For connection to any bus module MBM
- ▶ Remote or direct mounting of bus module MBM



Guard locking type

MGB2- Guard locking by spring force. Release by applying voltage to the guard locking solenoid.
L1... (closed-circuit current principle)

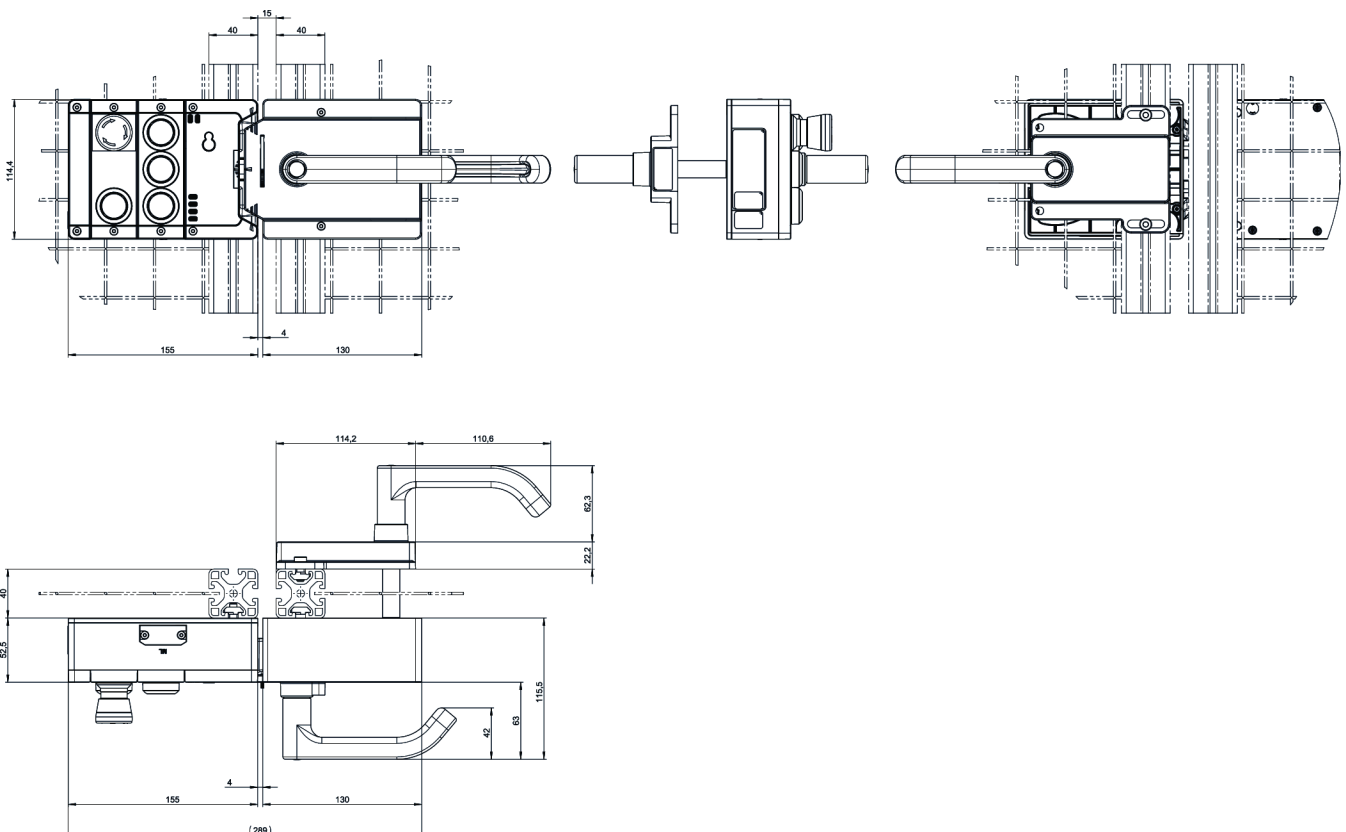
Flexible connection to any bus module MBM

The locking set can be connected to any bus module MBM, making it the ideal choice for supplementing or expanding existing systems.

Remote mounting

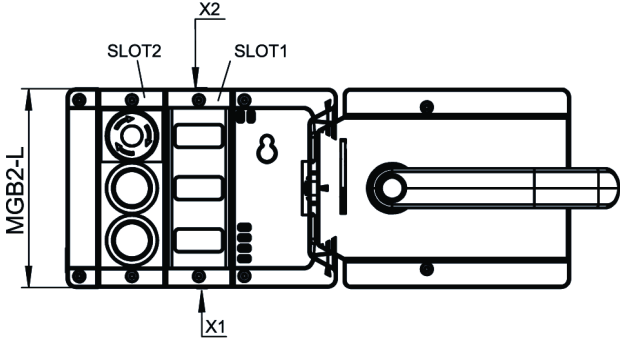
If space is limited, the bus module can be remotely mounted on the locking set.

Dimensional drawings

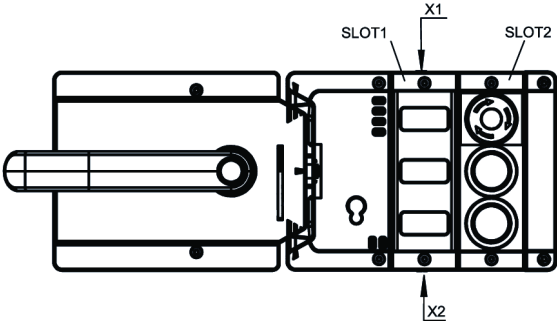


Dimensional drawings

...-R-...



...-L-...



Technical data

Approvals



Handle modules MGB2-H-BA1A3-R-136691 (Order no. 136691)



Mechanical values and environment

Installation orientation	Door hinge DIN right
Degree of protection	IP65
Ambient temperature	-30 ... 55 °C
Material	
Housing	Fiber glass reinforced plastic, nickel-plated die-cast zinc, stainless steel

Miscellaneous

Additional feature	with automatic lockout mechanism
--------------------	----------------------------------

Locking modules MGB2-L1-MLI-U-YC8F9-CA-R-164664 (Order no. 164664)



Mechanical values and environment

Installation orientation	Door hinge DIN right
--------------------------	----------------------