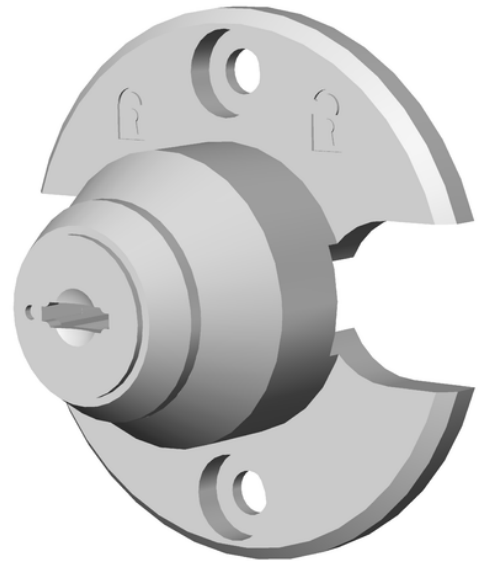


## SCHLOSS TX VERSCHIEDENSCHLIESSEND (Order no. 079796)

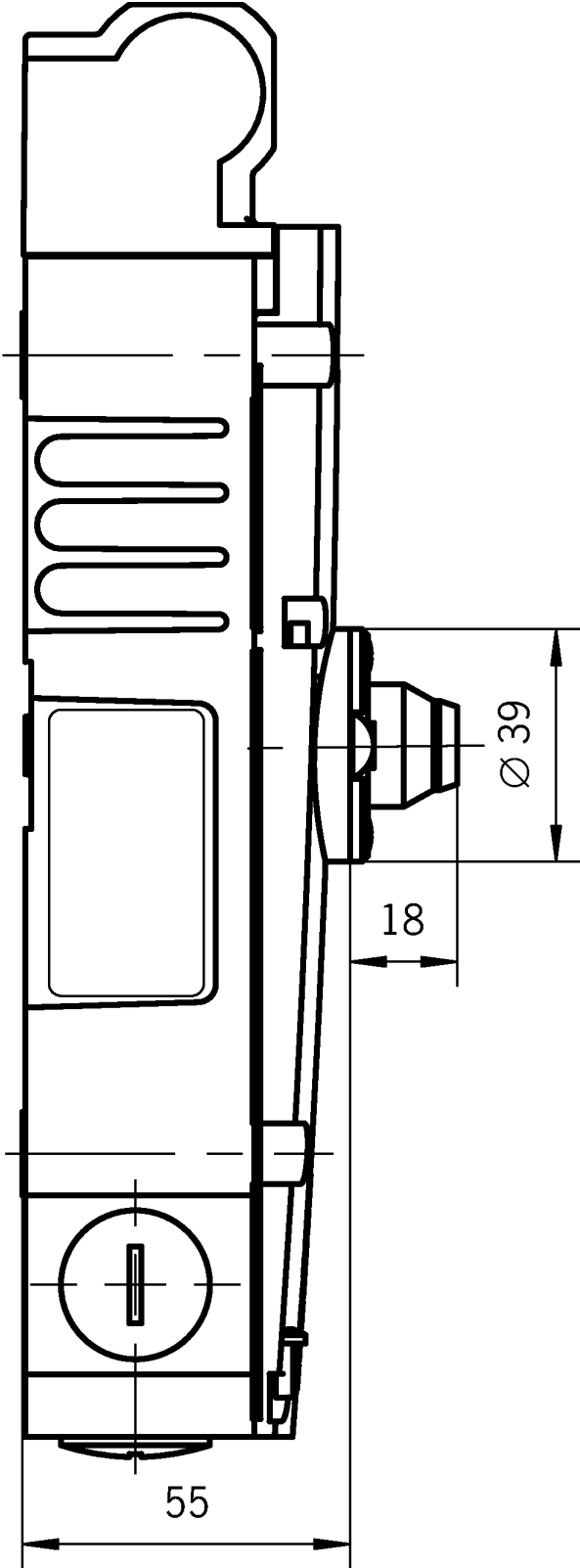
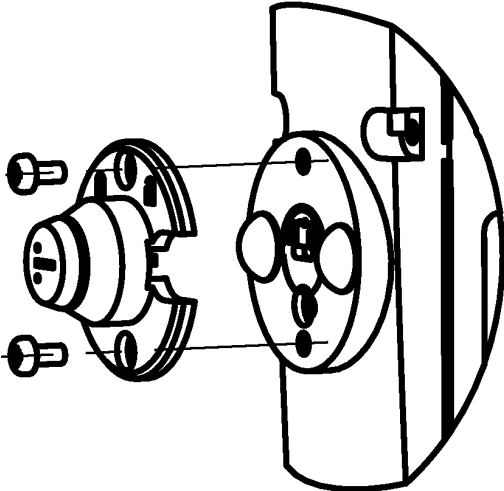
Lock for auxiliary release with automatic return for safety switches TX



The lock is used in combination with safety switch TX. The auxiliary key release enables authorized personnel to actuate the auxiliary release using the related key. The unlocking mechanism holds the solenoid in the “unlocked” position. 2 screws are used to fix the lock to the cover of the safety switch TX (above the auxiliary release).

- ▶ Please order safety switch TX separately
- ▶ 2 keys are included
- ▶ Every safety switch of series TX can be upgraded to include a lock

Dimensional drawings



## Technical data

### Mechanical values and environment

Removal position	two (0° and 180°)
Storage temperature	-25 ... 70 °C
Closing type	unique locking
Material	Plastic (Lock: metal)