

NZ2RS-3131 (Order no. 090954)

Safety switch NZ.RS, roller plunger, steel roller \varnothing 12 mm, plug connector SR11

- ▶ Roller plunger, steel roller \varnothing 12 mm
- ▶ Version C according to EN 50041
- ▶ SR11 plug connector; 11-pin + PE
- ▶ 2 pos. driven contact
- ▶ 2 NO contacts



Approach direction



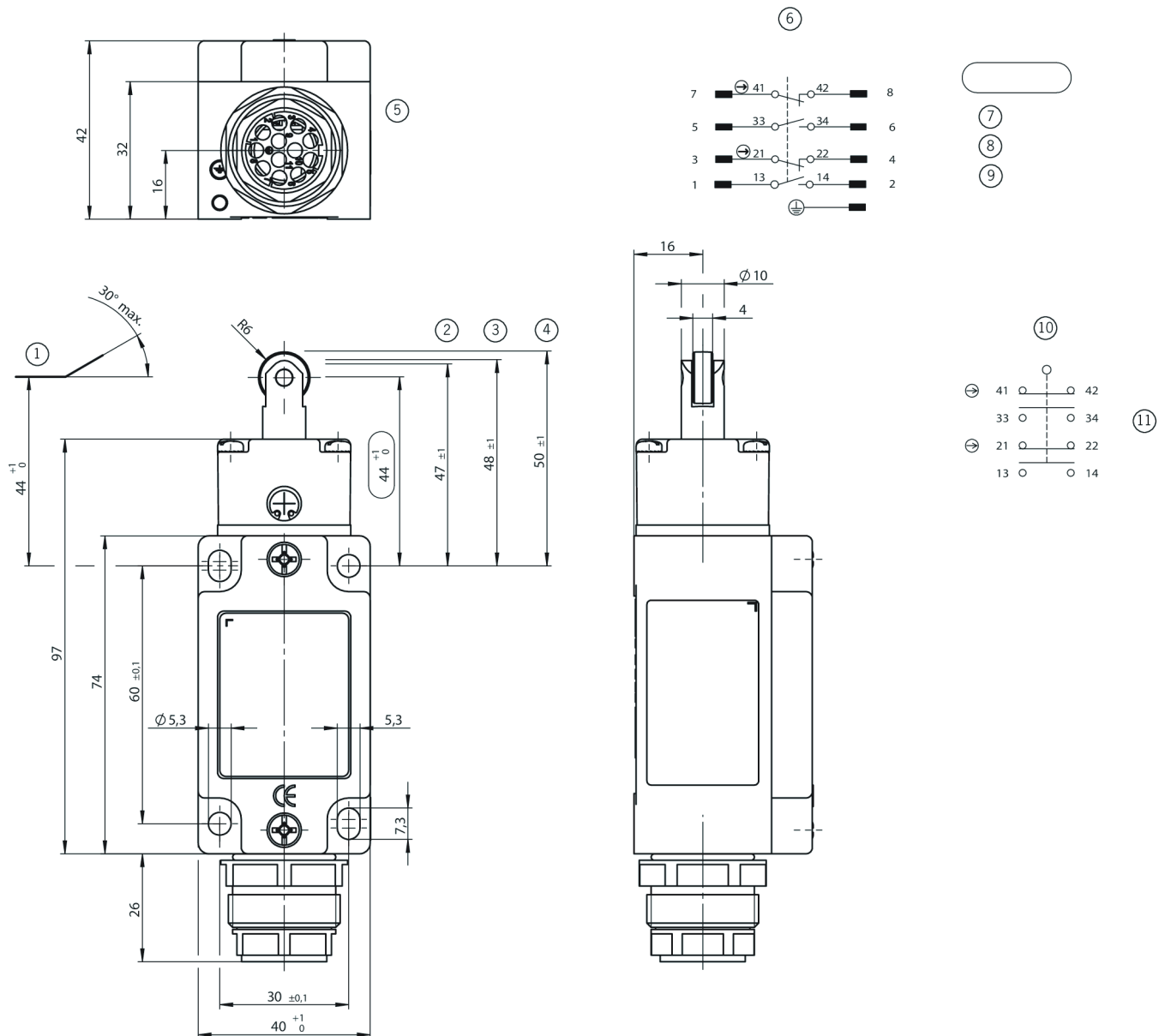
Horizontal

Can be adjusted in 90° steps

Switching element

3131H Slow-action switching contact 2 positively driven contacts $\ominus \rightarrow$ + 2 NO contact

Dimensional drawings



- 1 Dog
- 10 Switching element in free position
- 11 Switching element SK3131H slow-action contact element 2 NC contacts + 2 NO contacts, NC contacts positive opening
- 2 Operating point NO contact 13-14, 33-34
- 3 Operating point NC contact 21-22, 41-42
- 4 Free position
- 5 Related cable connectors are to be ordered separately.
- 6 Plug connector according to DIN 43651 type SR11AM
- 7 Positive opening function is dependent on maintaining this distance.
- 8 Actuator (dog) must be positively mounted on the machine.
- 9 Switch can be replaced only with the same type.

Connection examples

