

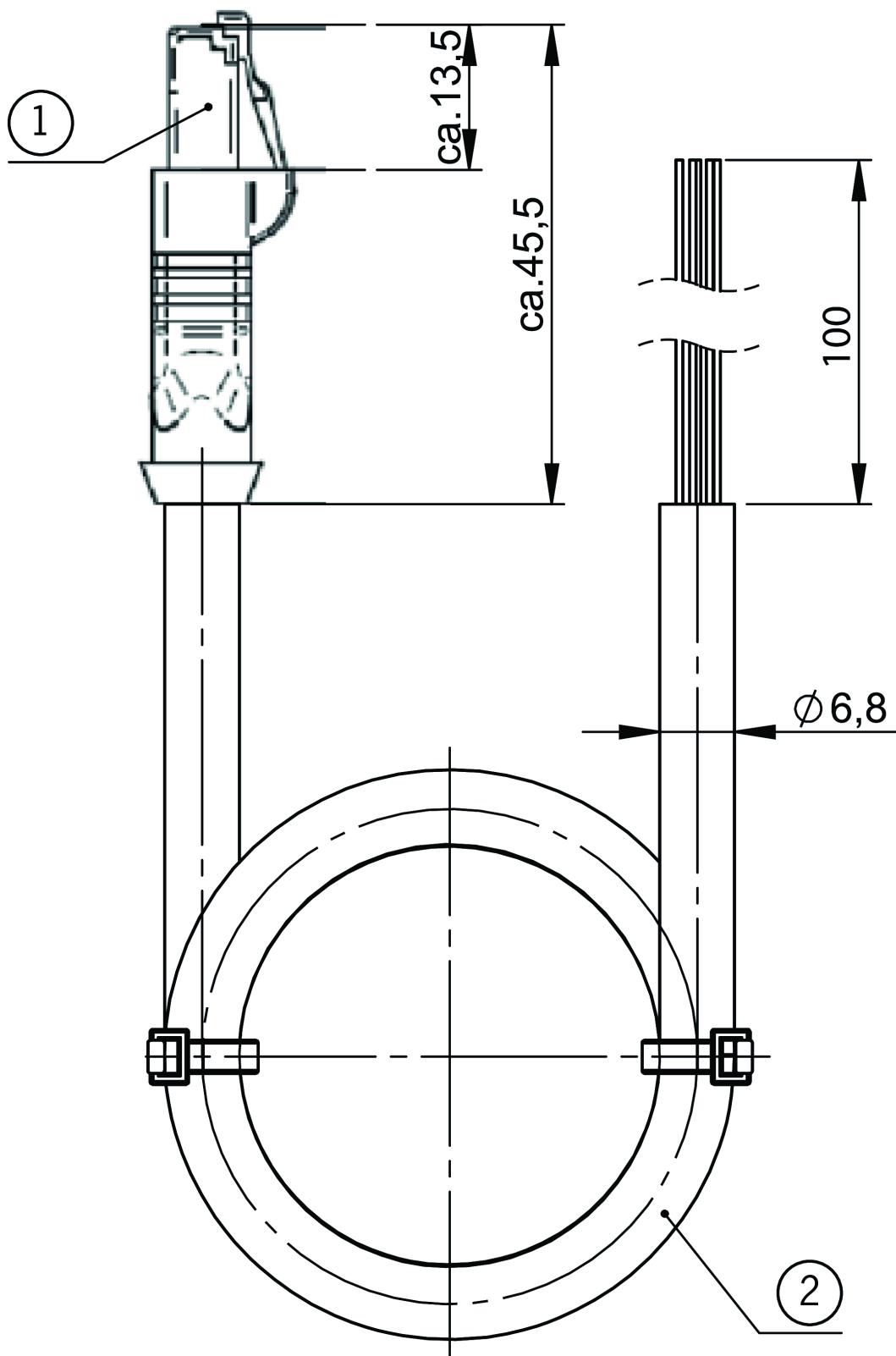
C-RJ45-8X014PU05,0-MA-122702 (Order no. 122702)

Connecting cable with RJ45 plug connector, 5 m

- ▶ RJ45 plug connector
- ▶ Straight plug connector
- ▶ PUR cable
- ▶ Cable length 5 m
- ▶ With flying lead



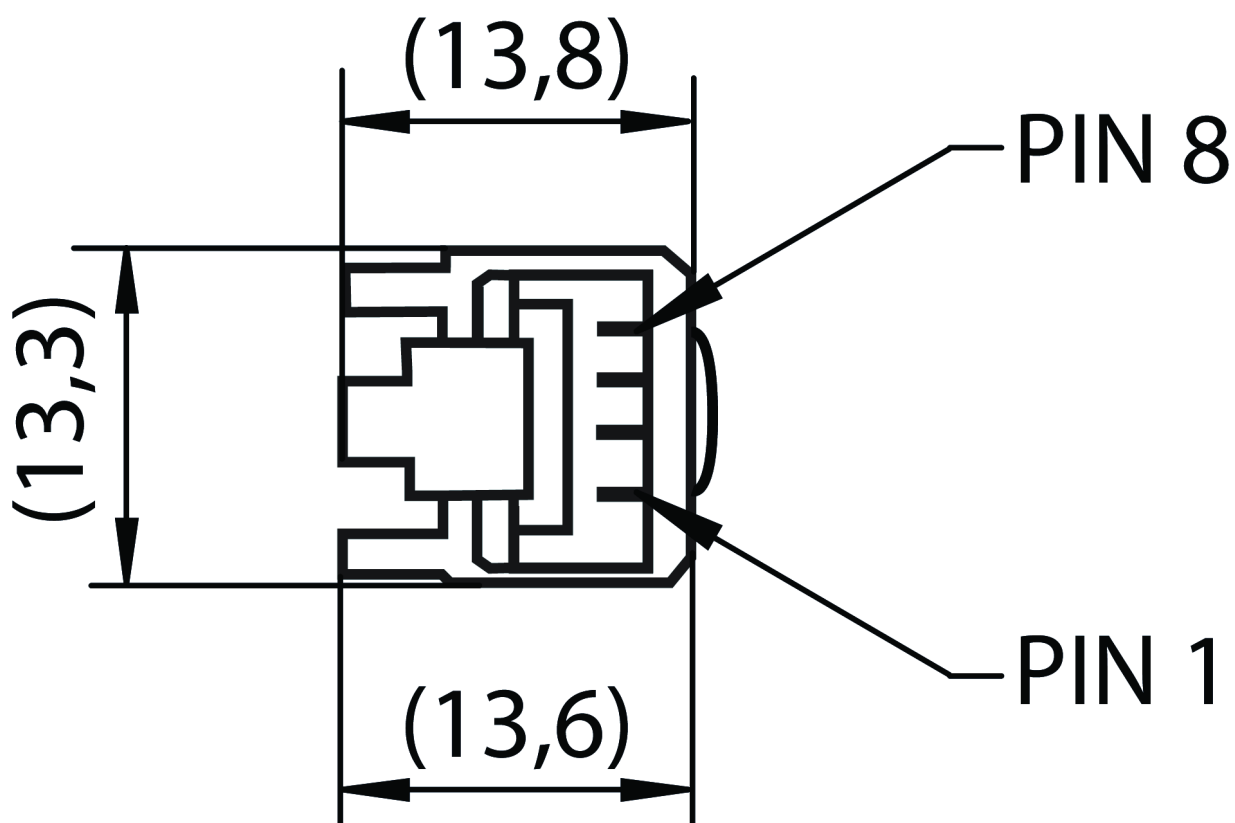
Dimensional drawings



1 Male plug / 8-pin

2 PUR cable S/FTP - 8x 0.14 mm²

Connection examples



Screen foil over each pair

Paar 1 Pin 5 (WH) + Pin 4 (BU)

Paar 2 Pin 1 (WH) + Pin 2 (OG)

Paar 3 Pin 3 (WH) + Pin 6 (GN)

Paar 4 Pin 7 (WH) + Pin 8 (BN)