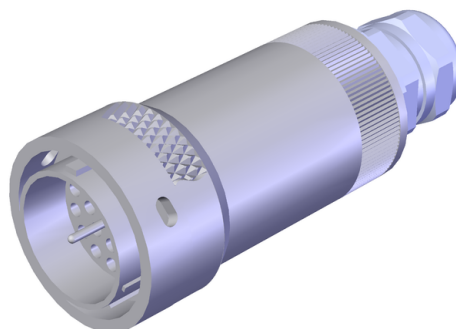
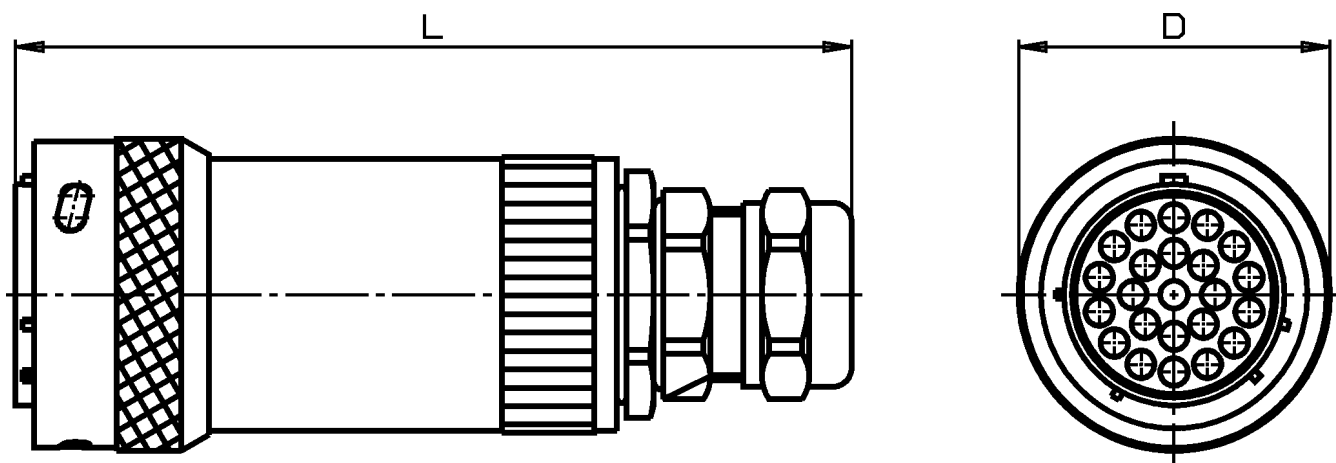


23POL/METALLAUSFUEHRUNG-074393 (Order no. 074393)

Plug connector, 23-pin

**Plug connector**

35	40.2	103	8.0 - 12.0
28	37.2	97	8.0 - 12.0
23	33.9	91	6.0 - 10.0
12	27.5	81	5.5 - 9.5

Dimensional drawings

Technical data

Mechanical values and environment

Connection type	
Crimp contacts included	Male plug
Storage temperature	-25 ... 70 °C
Cable diameter	
Clamping range	6 ... 10 mm
Number of pins	23
Degree of protection	IP65
Plug lock	Bayonet

Miscellaneous

Additional information	For crimp tool and extraction tool, see catalog
------------------------	---

Downloads

All documentation for this material can be found on our website:

<https://www.euchner.de/en-us/a/074393/?#downloads-tab>