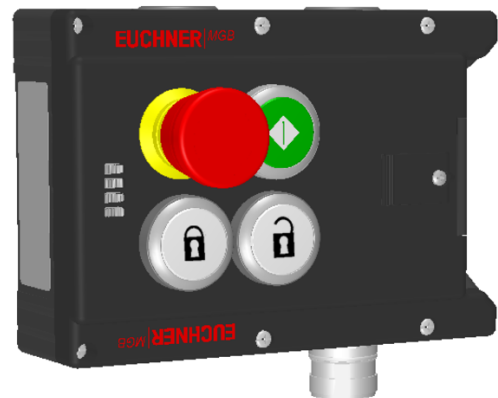


MGB-L2-APA-AC6A1-S1-R-110500 (Order no. 110500)

Locking module MGB-L2-APA., (guard locking by solenoid force) with 3 pushbuttons, emergency stop, RC18

- ▶ Guard locking with guard lock monitoring
- ▶ Emergency stop according to ISO 13850
- ▶ 2 pushbuttons, illuminated (gn, wh)
- ▶ 1 pushbutton, not illuminated (wh)
- ▶ With plug connector RC18
- ▶ Unicode



Guard locking type

MGB- The locking arm is held in the locked position by solenoid force and is unlocked by spring force
L2... when the solenoid is switched off (open-circuit current principle, electrically locked).

Door hinge

A mechanical door stop is permanently integrated into the evaluation module of the MGB. A marking on the stop makes adjustment easier.

LED indicator

The LED indicator indicates all important system and status information.

Monitoring outputs

- OT Bolt tongue inserted into the evaluation module
- OI Diagnostics; there is a fault

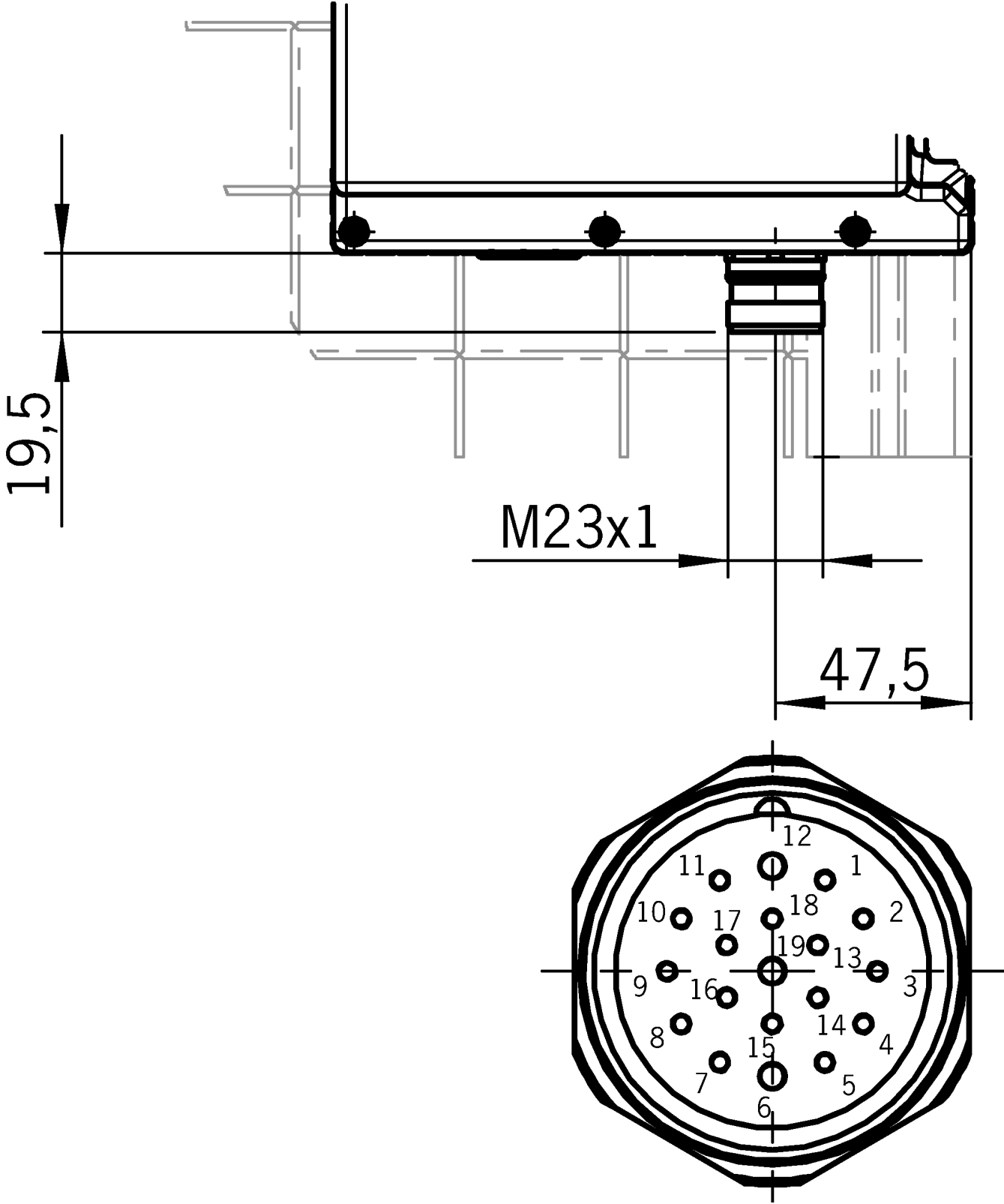
Emergency stop device

S1 2 positively driven contacts, emergency stop with turn-to-reset, not illuminated

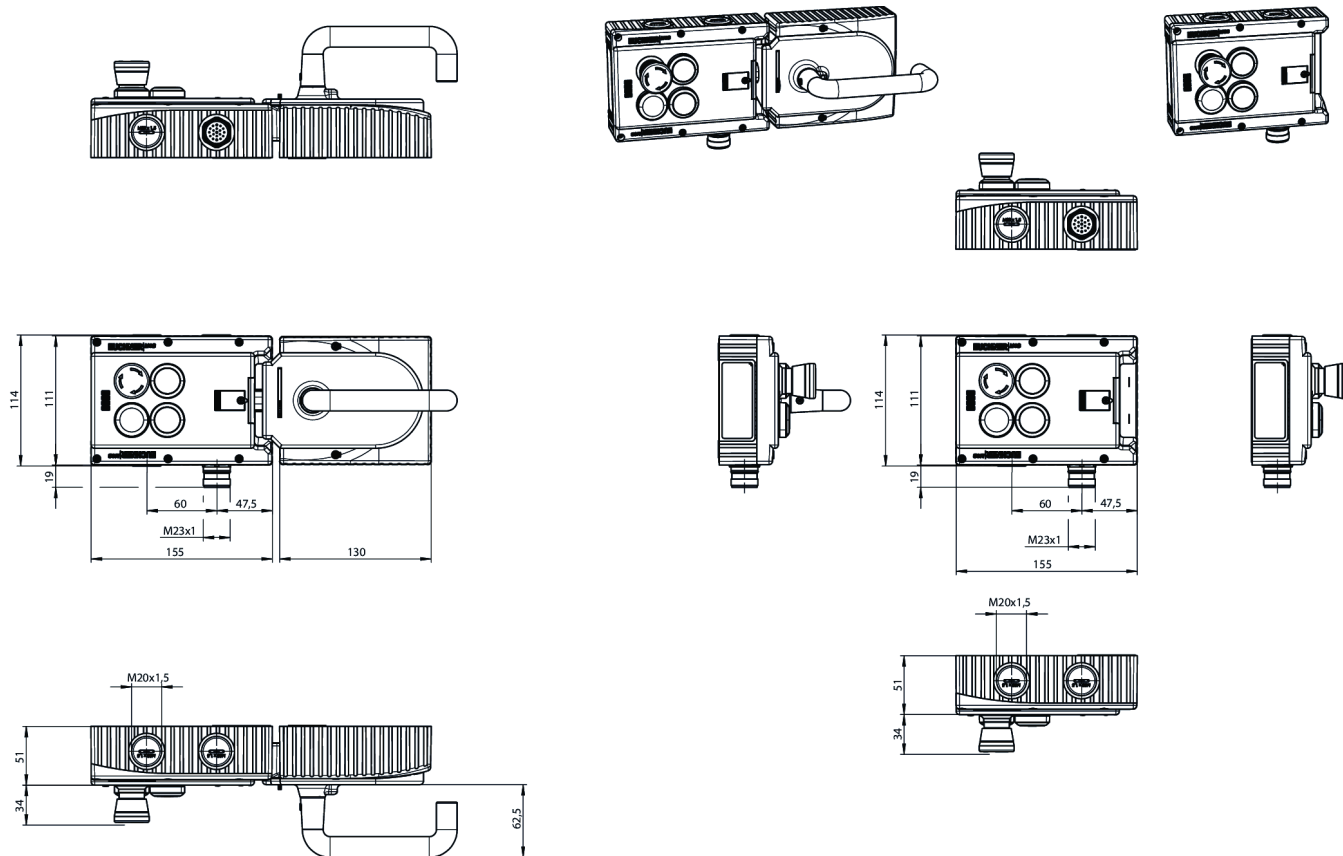
Pushbuttons

- S2 1 NO contact, illuminated
- S3 1 NO contact, illuminated
- S4 1 NO contact, not illuminated

Dimensional drawings



Dimensional drawings



Connection examples

