

ZSA100873C2038 (Order no. 100873)

ZSA, 3-stage, with cable and plug connector RC12

- ▶ Housing G1
- ▶ 3-stage function
- ▶ Straight connecting cable with plug connector, 25 m
- ▶ Direct connection to safety switch



Switching element

2220 2 NO/NC 

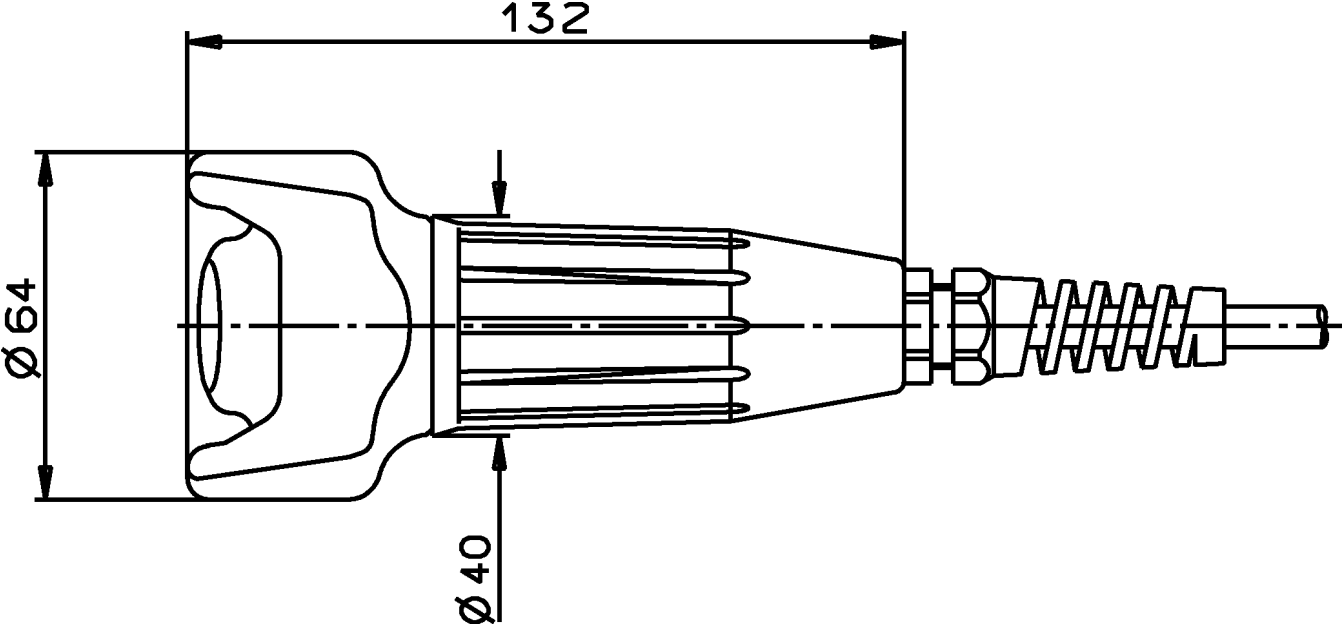
Suitable for direct connection to safety switch

This enabling switch can be connected directly to a safety switch (TZ...C1803) (see catalog for safety switches with metal housing).

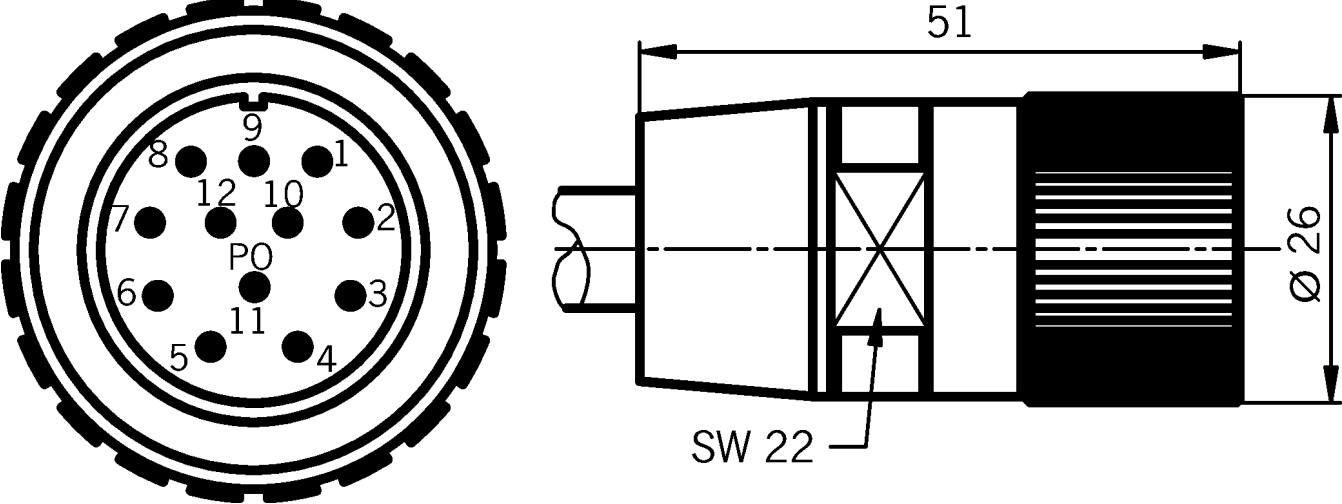
3-stage function

Enabling function is active only in the second stage (center position, actuating point). If the pushbutton is released or pushed further (panic function), the enabling is removed (dependent on the wiring, see function sequence).

Dimensional drawings



Dimensional drawings



Connection examples

