

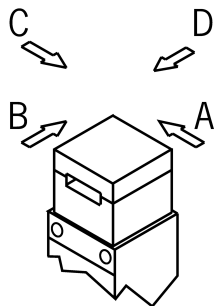
## TZ2RE024RC18VAB-C1937 (Order no. 100777)

### Safety switch TZ, plug connector M23 (RC18), emergency release with rotary knob, special wiring

- ▶ Plug connector M23 (RC18)
- ▶ Emergency release with rotary knob
- ▶ LED indicator
- ▶ Actuating head fitted right
- ▶ Open-circuit current principle



#### Approach direction



Horizontal

Can be adjusted in 90° steps

#### Guard locking principle

Open-circuit current (power on to lock): On a guard with guard locking based on the open-circuit current principle, the guard is locked until the power supply to the guard locking solenoid is interrupted. Unlocking is by spring force. The term electrical guard locking is also used.

#### LED indicator

The switch has two freely assignable LED indicators (red and green).

#### Switching element

SK 2131 Slow-action switching contact

Contacts for door monitoring: 2 positively driven contacts  $\text{⊕}$  + 1 NO contact

ÜK 3131 Slow-action switching contact

Contacts for guard locking: 2 positively driven contacts  $\text{⊕}$  + 2 NO contact

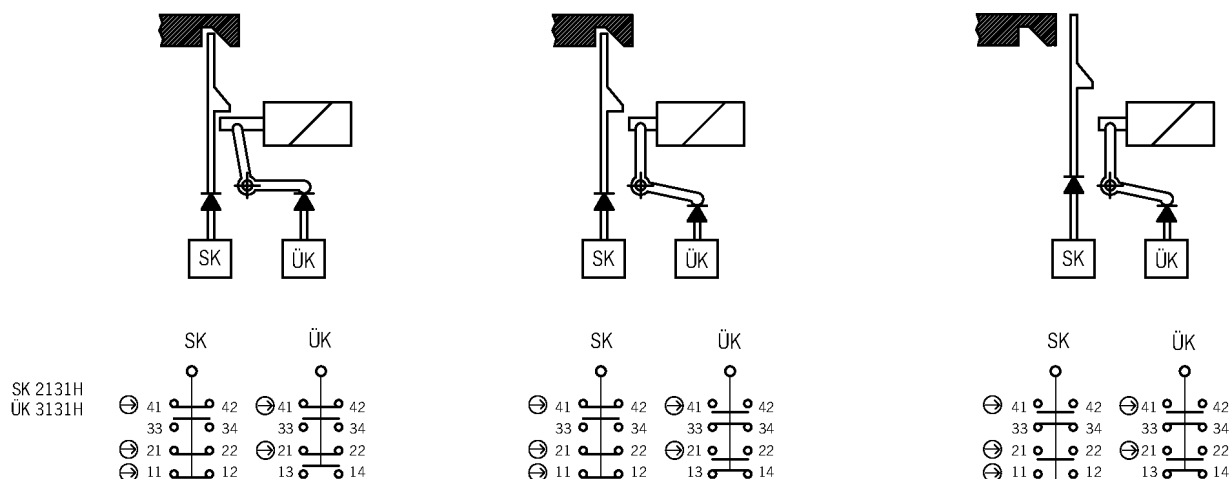
## Emergency release

The emergency release on the front is used for manual release of the guard locking without tools in an emergency. The emergency unlocking mechanism must be returned to the locked state manually. Sealing can be fitted to protect against tampering.

## Accessories required

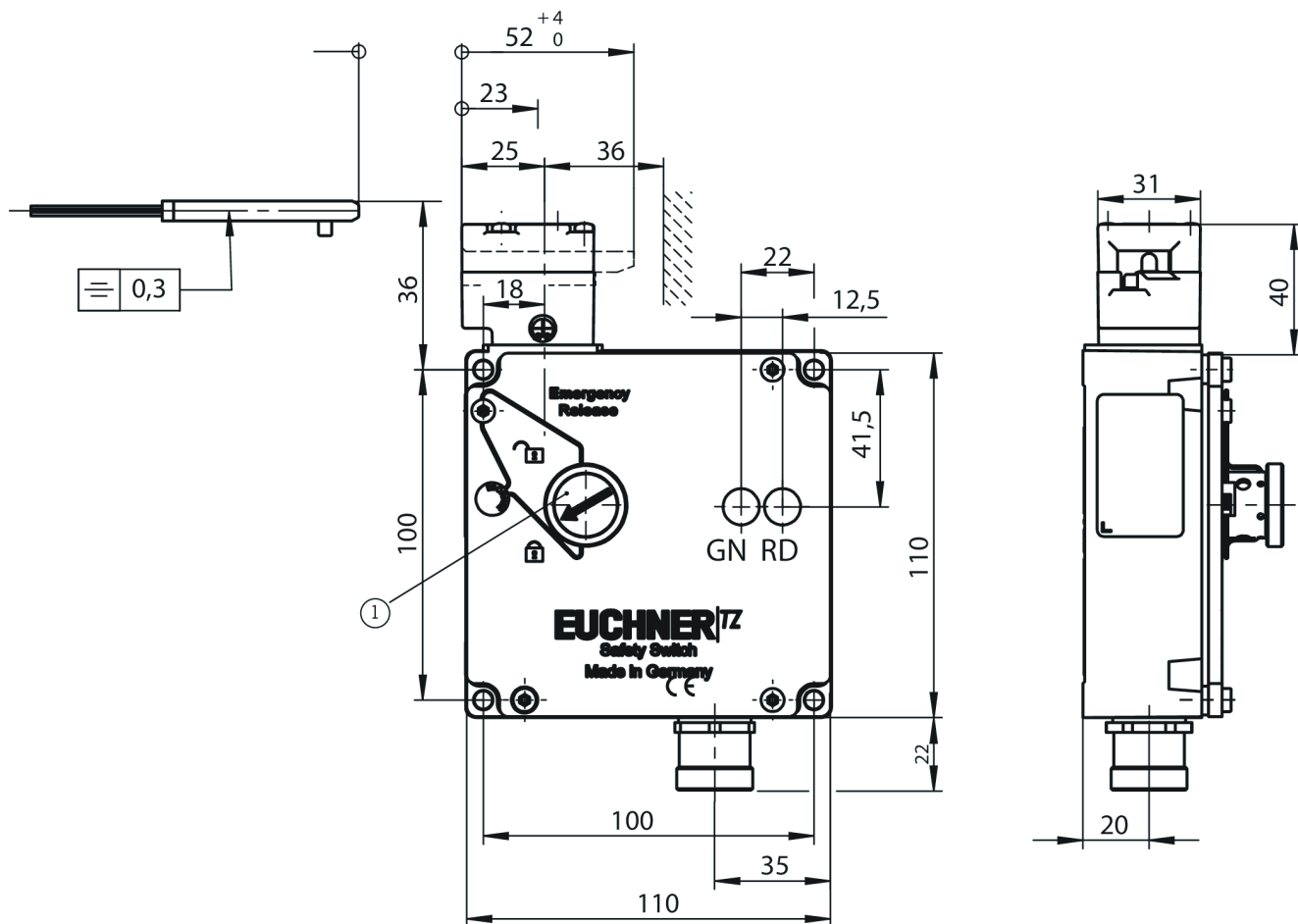
Actuator is not included.

## Functional drawings

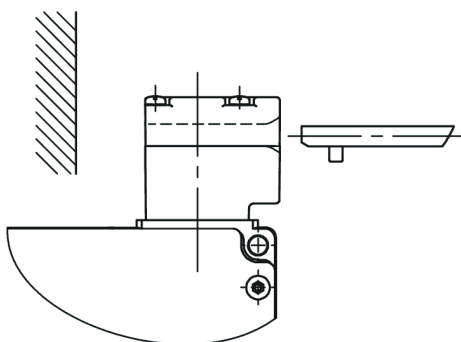


## Dimensional drawings

TZ.L...



TZ.R...



1 Emergency unlocking (rotary knob)