

RIEGELSCHIEBER/BOLT SLIDE TZ-A (Order no. 116561)

Replacement bolt slider for EUCHNER bolt TZ-A

- ▶ Replacement bolt slider made of steel
- ▶ Actuator included



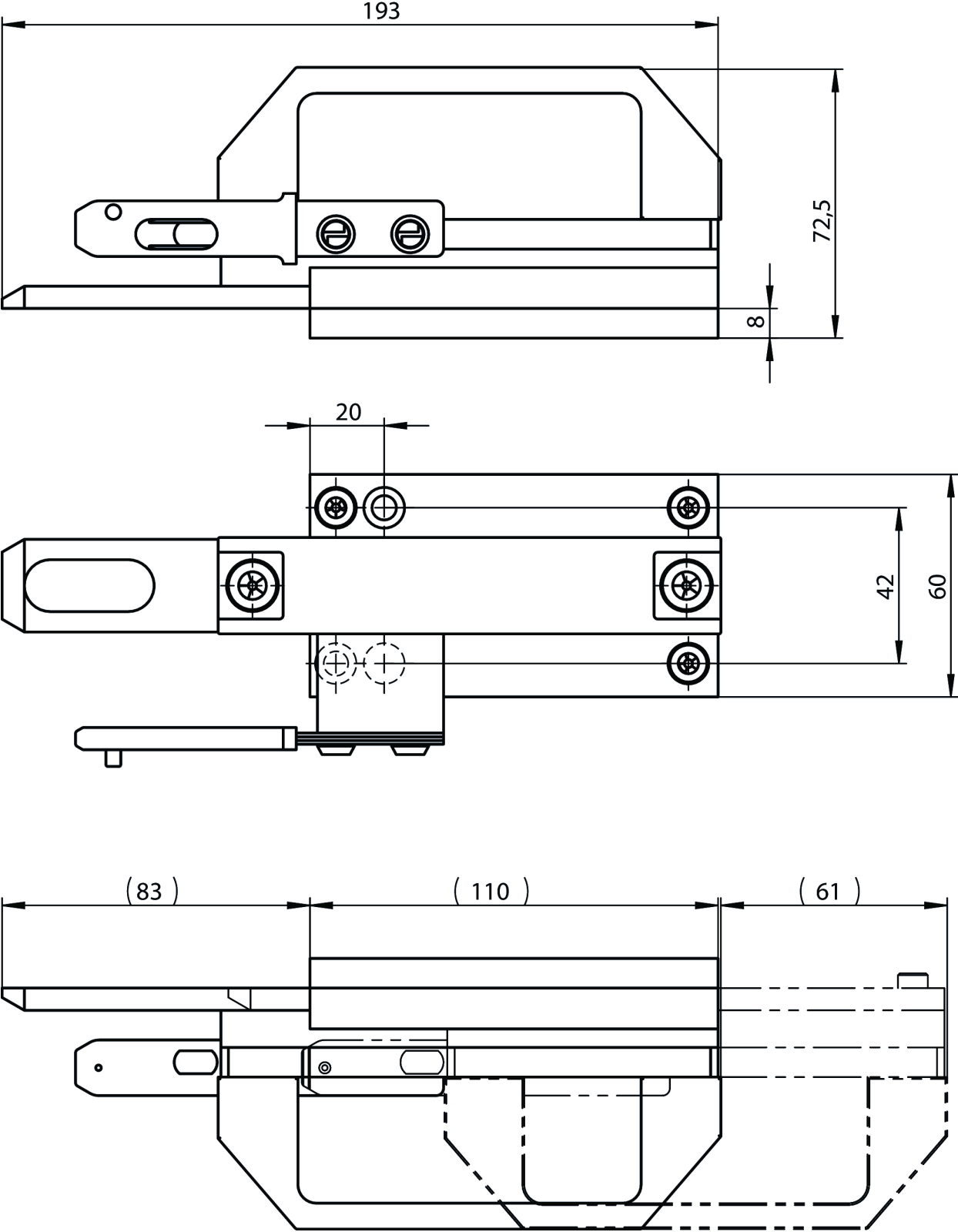
Benefits

- ▶ Robust construction
- ▶ No additional door handle necessary
- ▶ With upright handle

Special features

- ▶ Easy to use

Dimensional drawings



Technical data

Mechanical values and environment

Approach direction	A
Number of safety switches that can be mounted	1
Escape release	None
Storage temperature	-25 ... 70 °C
Material	
Handle	Plastic
Guide strips	Plastic
Base plate	Galvanized steel
Switch bracket	Steel powder-coated

Miscellaneous

Detent mechanism	None
------------------	------