

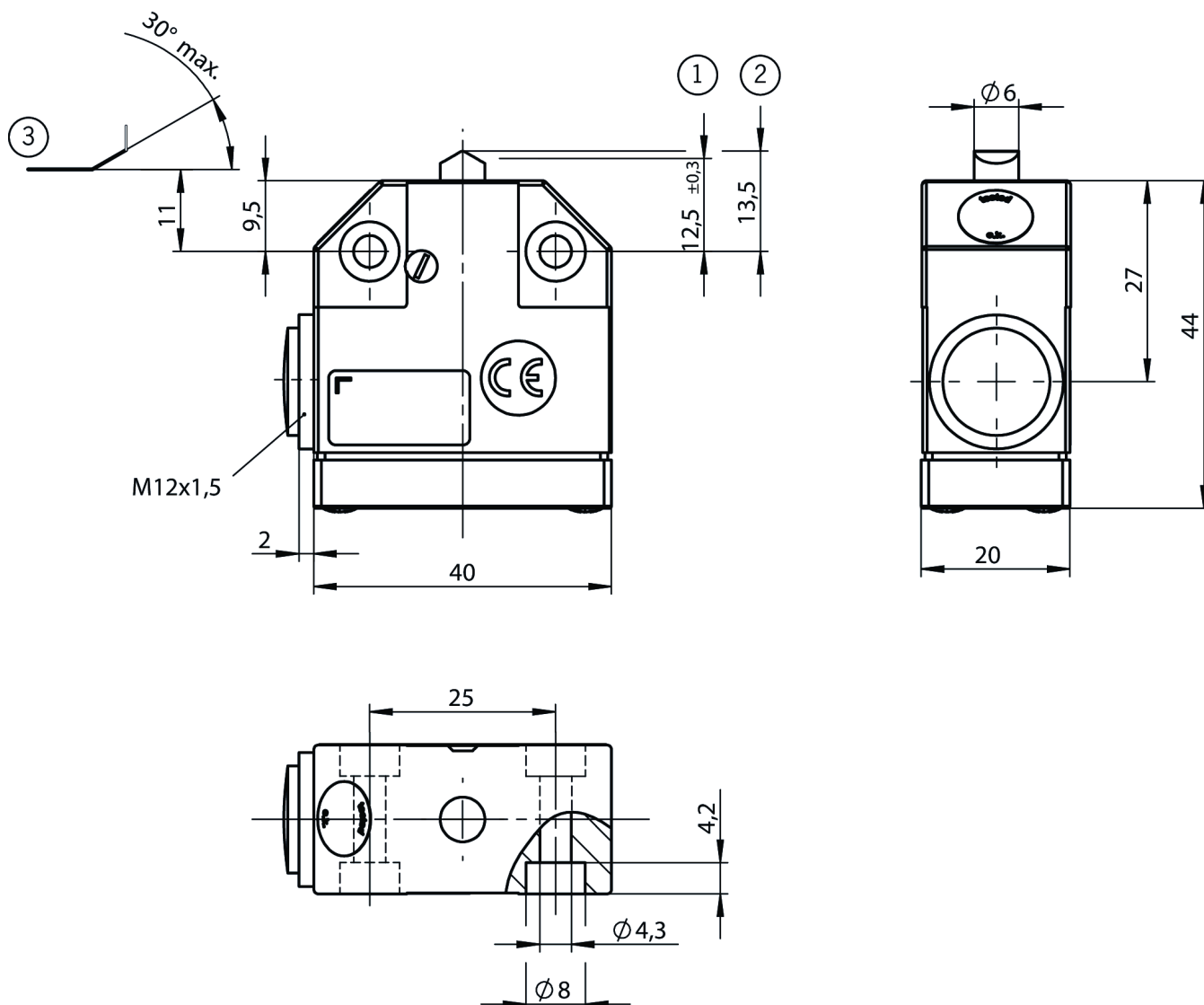
## NB01D556-M (Order no. 085245)

### Precision single limit switch NB01, chisel plunger

- ▶ Plunger material stainless steel
- ▶ Cable entry M12 x 1.5



### Dimensional drawings

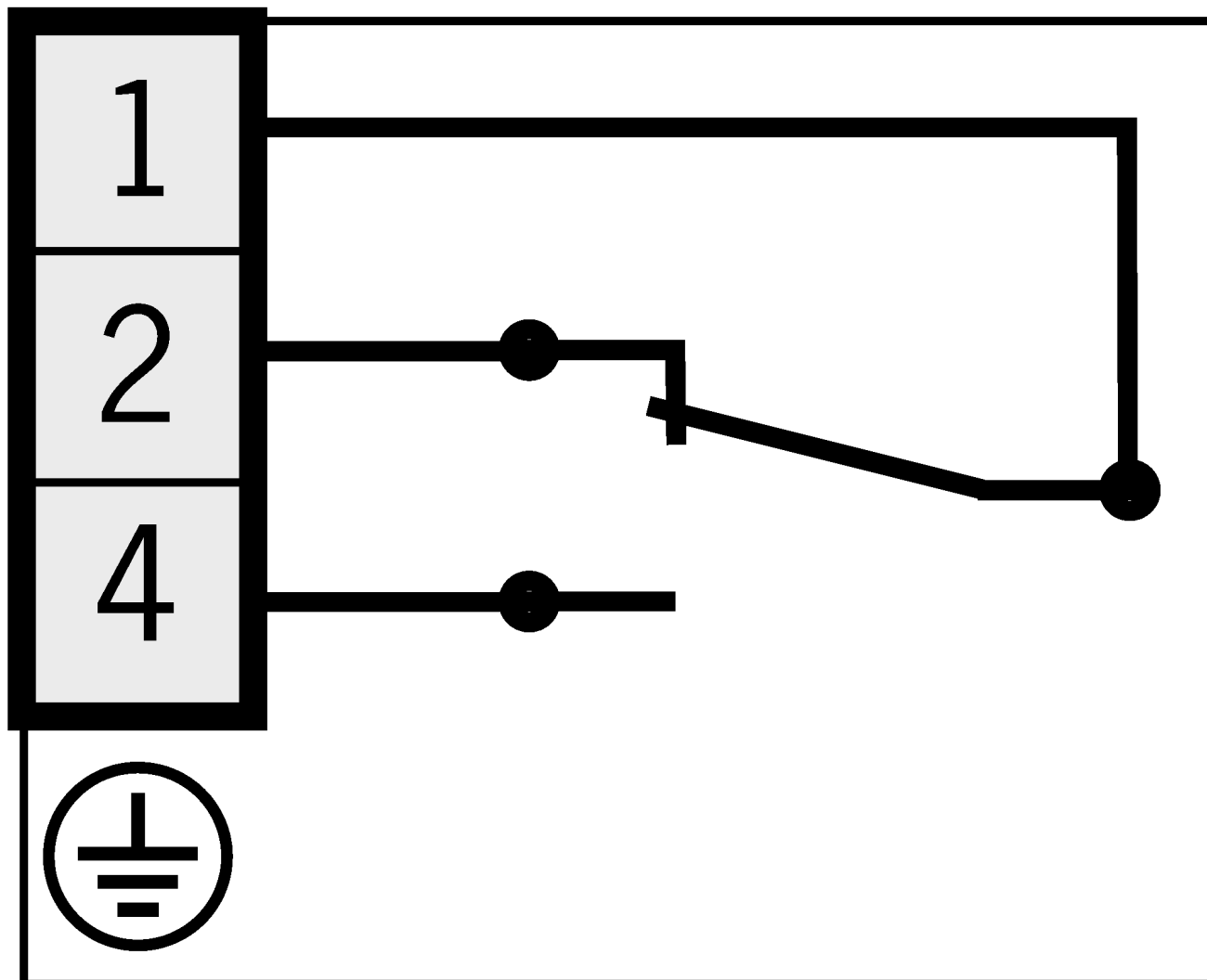


1 Operating point

2 Free position

3 Dog

## Connection examples



## Technical data

### Approvals



### Electrical connection values

Fuse	max. 6 A gG	
Connection cross section	0.14 ... 1 mm <sup>2</sup> (Screw terminal)	
Rated insulation voltage $U_i$	250 V	
Rated impulse voltage $U_{imp}$	2.5 kV	
Utilization category	AC-15	2 A 230 V
	DC-13	2 A 24 V
Switching current	min. at DC 24V	10 mA
thermal rated current $I_{th}$	6 A	

### Mechanical values and environment

Anfahrgeschwindigkeit	0.01 ... 20 m/min	
Connection type	1 x	M12 x 1.5
Number of door position NC contacts	1	(Changeover contact)
Number of door position NO contacts	1	(Changeover contact)
Tightening torque	Screw terminal	max. 0.2 Nm Hexagon socket AF 1.3 mm
Actuating element	Chisel plunger	
Actuating force	15 ... 20 N	
Installation orientation	any	
Storage temperature	-25 ... 80 °C	