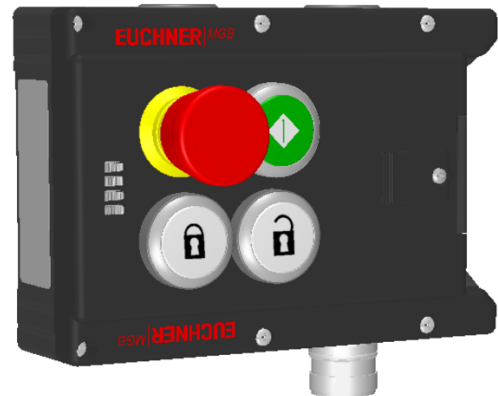


## MGB-L2-APA-AG8A1-S1-R-115669 (Order no. 115669)

### Locking module MGB-L2-APA., (guard locking by solenoid force) with 3 pushbuttons, emergency stop, RC18

- ▶ Guard locking with guard lock monitoring
- ▶ Emergency stop according to ISO 13850
- ▶ 3 pushbuttons, illuminated and printed (gn, wh, wh)
- ▶ With plug connector RC18
- ▶ Unicode
- ▶ Common monitoring output for diagnostics and emergency stop



### Guard locking type

MGB- The locking arm is held in the locked position by solenoid force and is unlocked by spring force  
L2... when the solenoid is switched off (open-circuit current principle, electrically locked).

### Door hinge

A mechanical door stop is permanently integrated into the evaluation module of the MGB. A marking on the stop makes adjustment easier.

### LED indicator

The LED indicator indicates all important system and status information.

### Monitoring outputs

- OT Bolt tongue inserted into the evaluation module
- OI Diagnostics; there is a fault

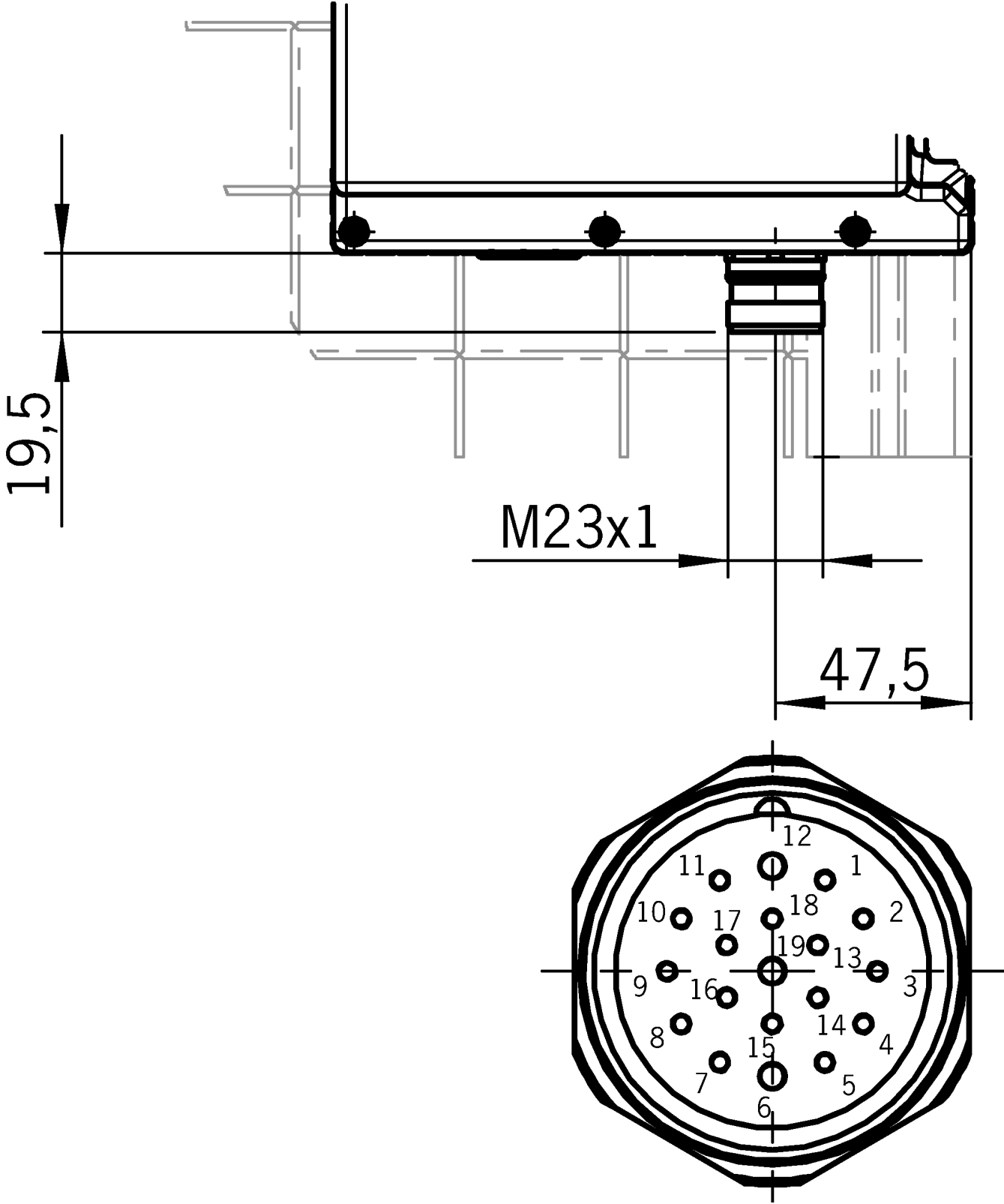
### Emergency stop device

S1 2 positively driven contacts, emergency stop with turn-to-reset, not illuminated

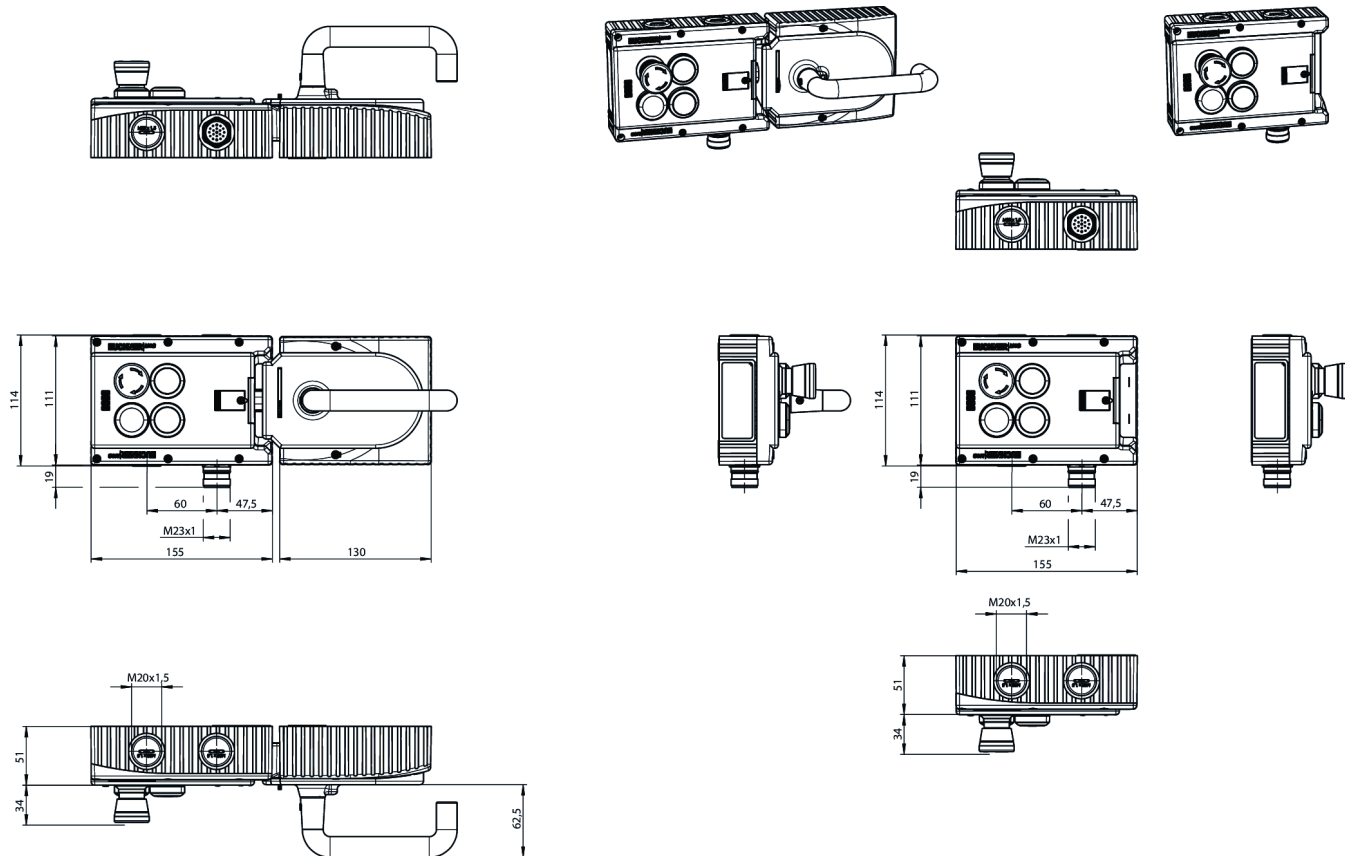
### Pushbuttons

- S2 1 NO contact, illuminated
- S3 1 NO contact, illuminated
- S4 1 NO contact, illuminated

Dimensional drawings



## Dimensional drawings



## Connection examples

