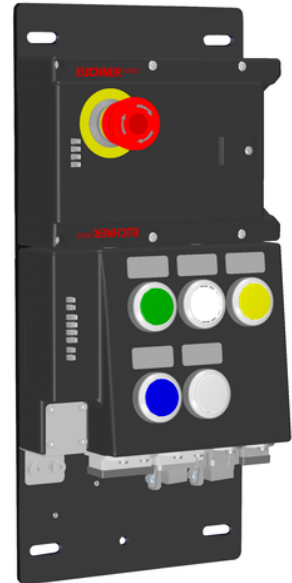


MGB-L2B-PNA-R-113133 (Order no. 113133)

Evaluation module and bus module MGB-L2...-PN... (guard locking by solenoid force) with 6 controls and indicators, push-pull plug

- ▶ Guard locking with guard lock monitoring
- ▶ Emergency stop according to ISO 13850 (illuminated)
- ▶ 2 illuminated pushbuttons
- ▶ 2 pushbutton, not illuminated
- ▶ 1 indicator
- ▶ Including adhesive labels
- ▶ Push-pull plug
- ▶ Pre-assembled on mounting plates
- ▶ Integrated Profinet RT switch
- ▶ Unicode



Profinet connection

Connection via push-pull plugs according to IEC 61076-3-117

Profinet RT switch

Point-to-point topology network structure due to integrated RT switch.

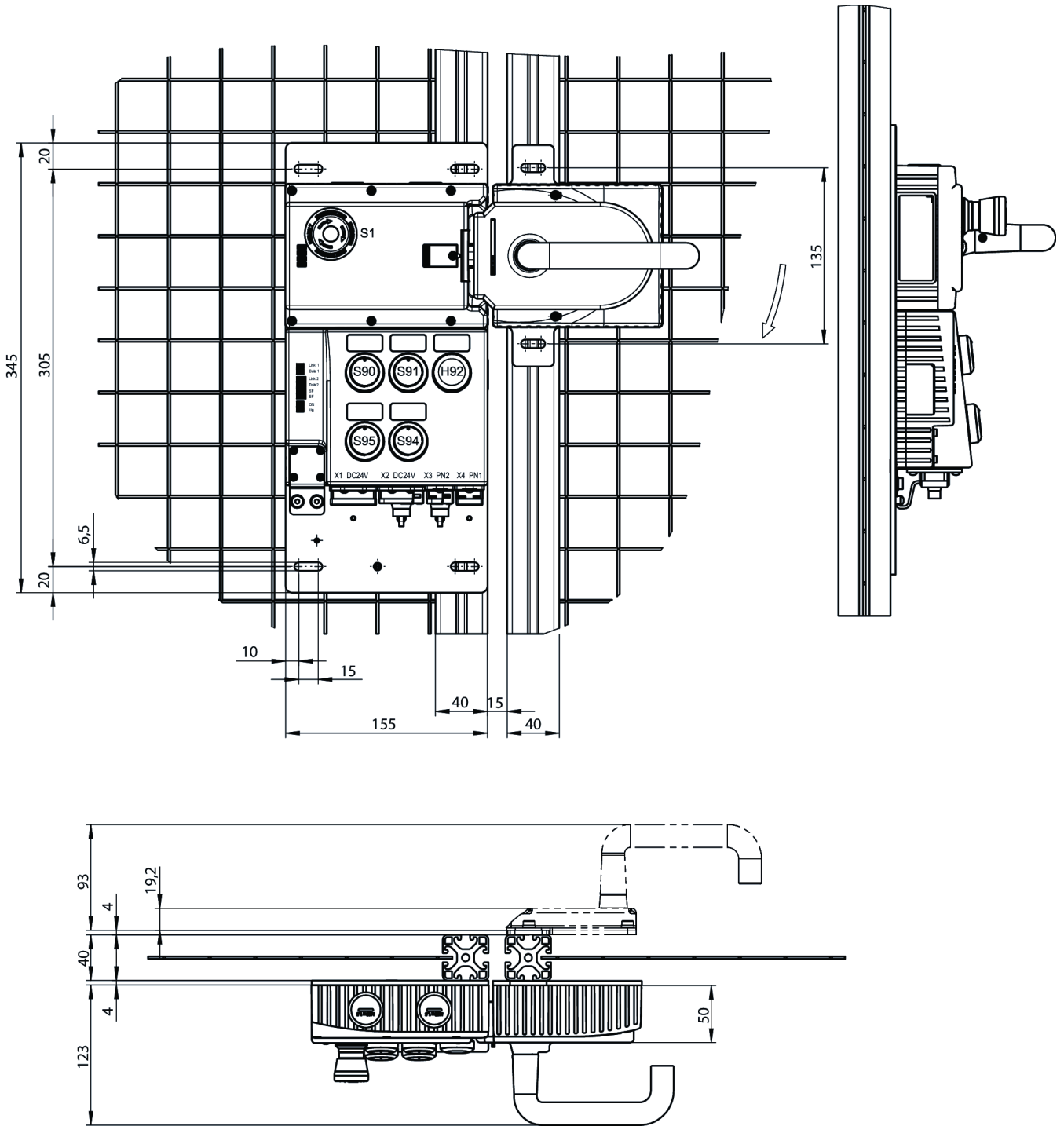
Flexible use as interlocking or guard locking

By means of the corresponding evaluation of the safe device data by the control system, use can be as either interlocking or guard locking (with or without monitoring).

Emergency stop illuminated

Emergency stop with illumination that can be controlled as required.

Dimensional drawings



Technical data

Approvals



Workspace

Secured switch-off distance s_{ar}

Only with sliding door 20 mm

(Only applies for use on sliding doors with deactivated guard lock monitoring)

Operating and display elements

Occupancy diagram

B1

L1

Item	Color	Extras	Note slide-in label	Version	Switching element	Slide-in label	Number	Designation1	LED
1		with adhesive ring		Emergency stop illuminated	2 PD				
90	green			Pushbutton	1NO				
91	red			Pushbutton	1NO				
92	yellow			Signal indicator					
94	white			Illuminated pushbutton	1NO				
95	blue			Illuminated pushbutton	1NO				

Electrical connection values

Connecting cable

Ethernet Profinet I/O cable, at least cat. 5e

Rated insulation voltage U_i

75 V