

## SN03D08-MC1094 (Order no. 088142)

### Series SN... 8 mm, mechanical

- ▶ Plunger spacing 8 mm
- ▶ Upright housing, without flange
- ▶ Degree of protection IP67 according to IEC 60529

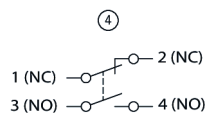
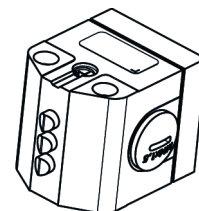
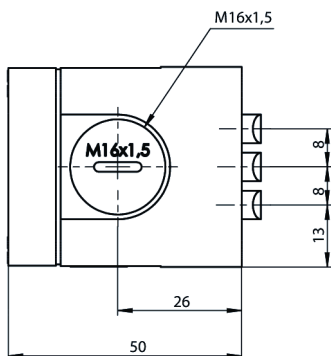
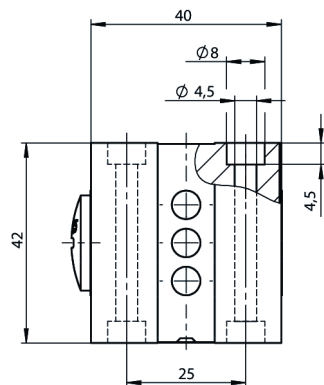
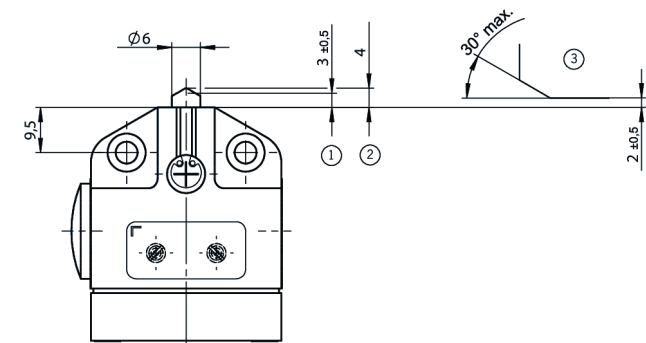


### Switching elements

ES 552 Snap-action switching contact 1 changeover contact standard switching element

ES 614 Snap-action switching contact 1 changeover contact suitable for switching low currents

### Dimensional drawings



1 Operating point

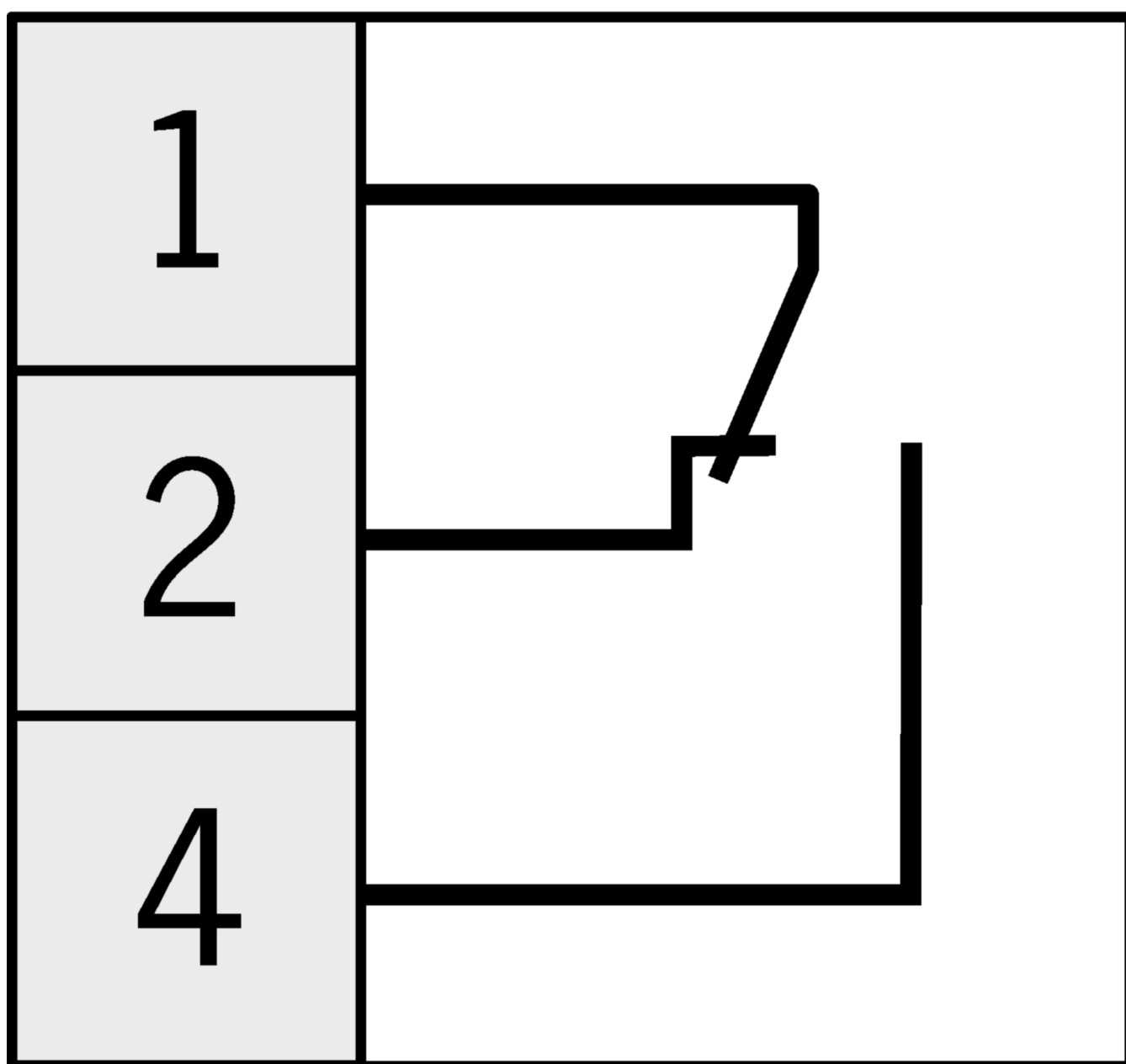
2 Max. free position

3 Dog

4 Switching element: ES558 with snap-action function, 1 NO contact + 1 NC contact

### Connection examples

# ES 552



Connection examples

# ES 614

