

BETAETIGER-M-WS (Order no. 074129)

Actuator for safety switch NM.VZ

- ▶ Actuator made of stainless steel
- ▶ Two stainless-steel safety screws per actuator
- ▶ Compact design



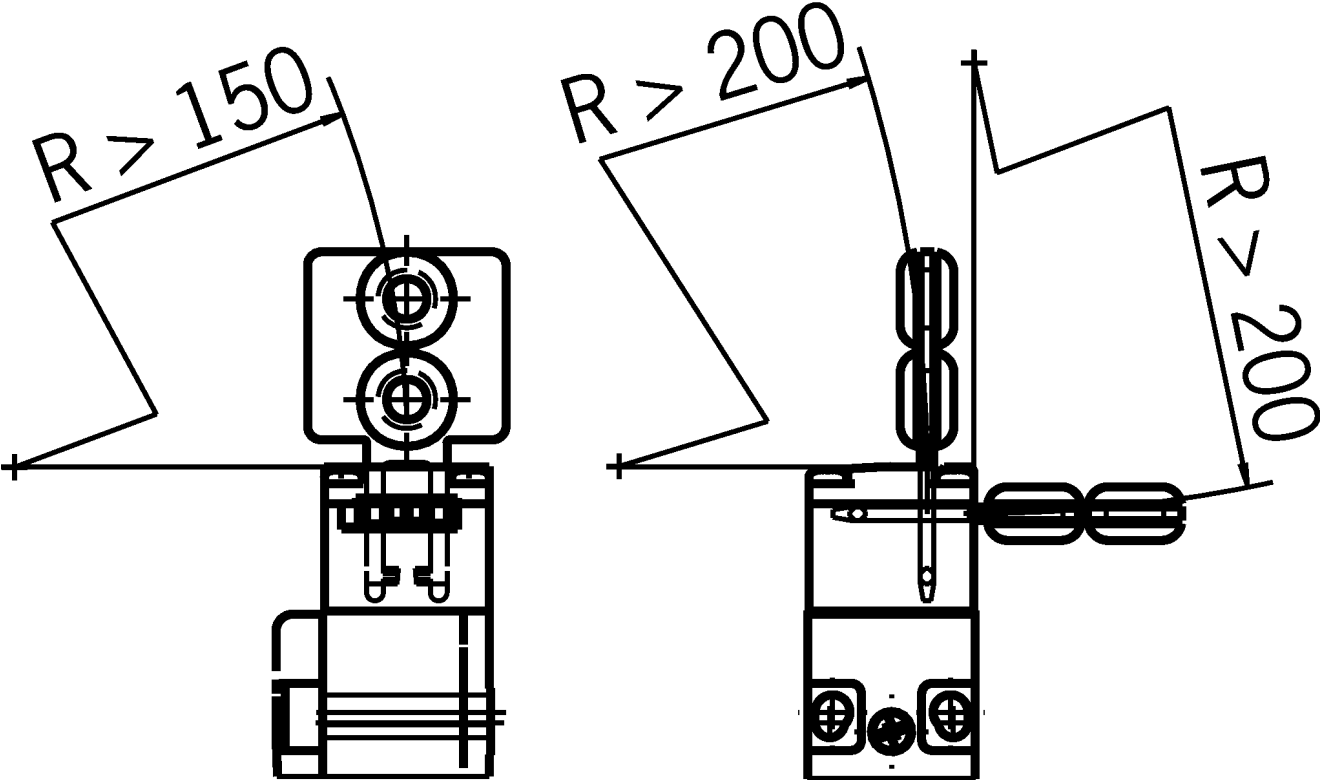
Bent actuator

The angled actuator is used on sliding doors or hinged doors with door radii greater than 150 mm. Safety screws prevent unscrewing of the actuators.

Screws made of stainless steel

The safety screws included can be inserted with a normal tool, but cannot be removed again.

Dimensional drawings



Dimensional drawings

