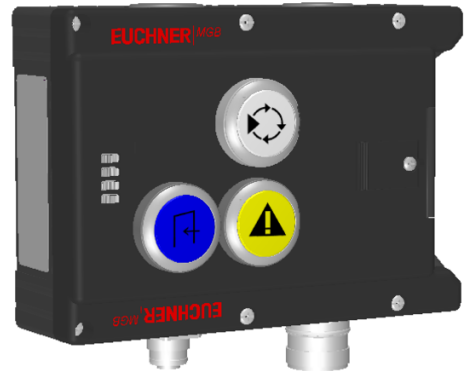


## MGB-L1-APA-AA6A1-S5-R-114235 (Order no. 114235)

### Locking module MGB-L1-APA.. (guard locking by spring force) with 3 pushbuttons, M12 for enabling switch, RC18

- ▶ Guard locking with guard lock monitoring
- ▶ 3 pushbuttons (illuminated, wh, ye, bu and printed)
- ▶ With plug connector RC18
- ▶ With plug connector M12 for enabling switch
- ▶ Unicode



### Guard locking type

MGB- L1... The locking arm is held in the locked position by spring force and is unlocked by solenoid force (closed-circuit current principle, mechanically locked).

### Door hinge

A mechanical door stop is permanently integrated into the evaluation module of the MGB. A marking on the stop makes adjustment easier.

### LED indicator

The LED indicator indicates all important system and status information.

### Monitoring outputs

- OT Bolt tongue inserted into the evaluation module
- OI Diagnostics; there is a fault

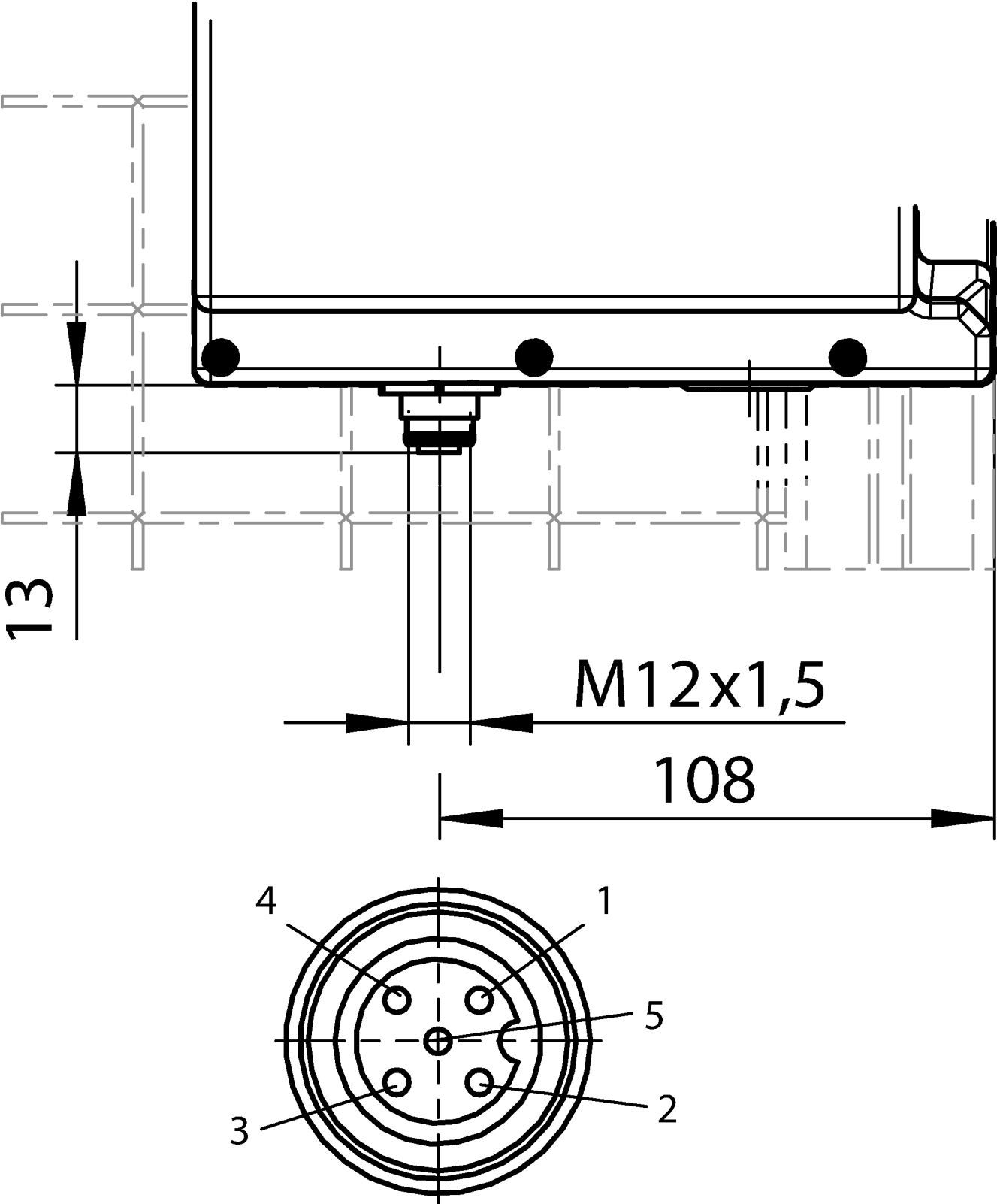
### Pushbuttons

- S2 1 NO contact, white, illuminated and printed
- S3 1 NO contact, yellow, illuminated and printed
- S4 1 NO contact, blue, illuminated and printed

### Connection for enabling switch

The device has an M12 plug connector for the direct connection of an enabling switch (e.g. ZSA, order no.: 110560).

Dimensional drawings



**Dimensional drawings**

