

## RPS3131PC300M (Order no. 088887)

### Rope pull switch with pull-to-reset button for EMERGENCY STOP device, clamping head

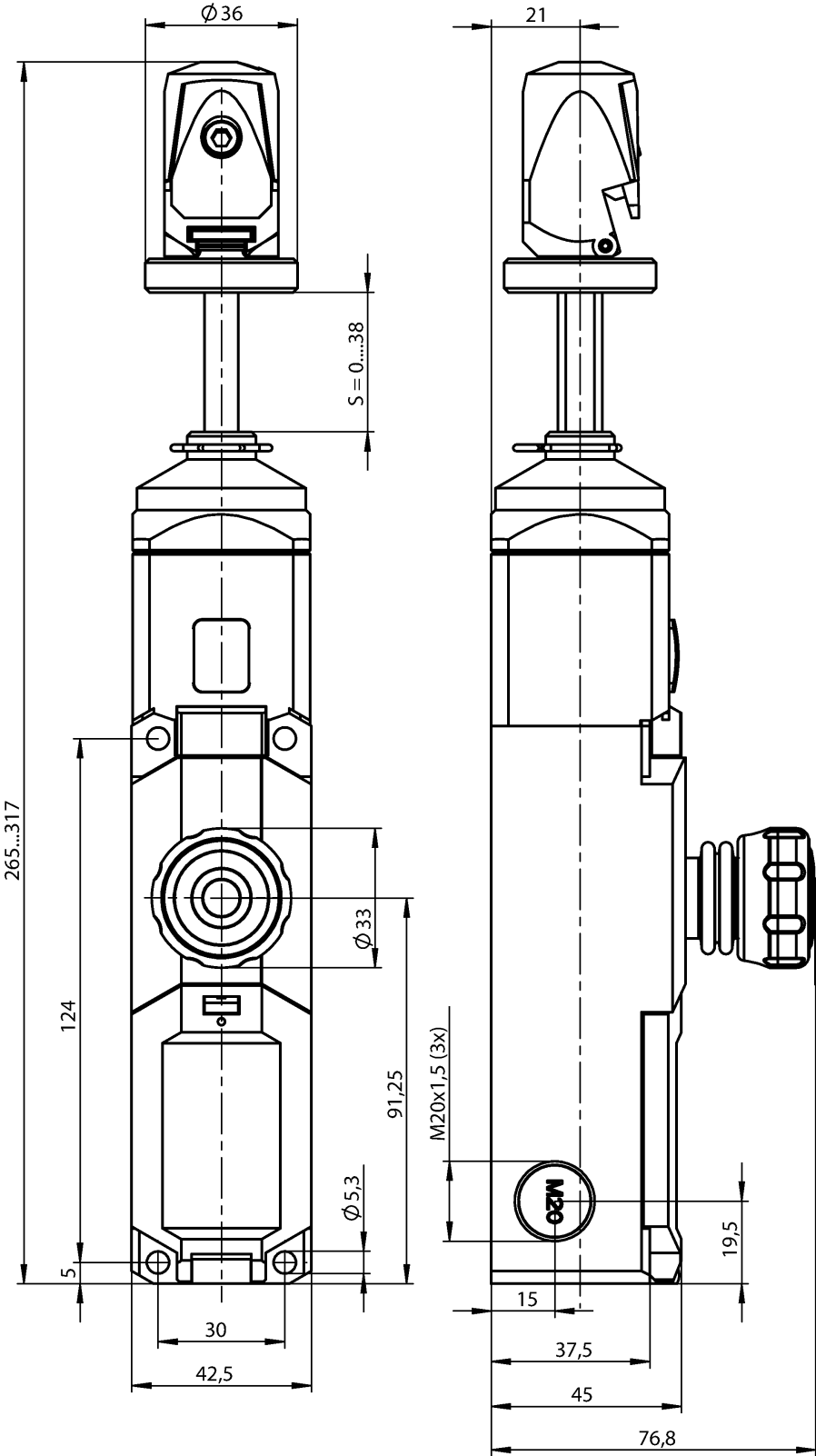
- ▶ Plastic housing
- ▶ Emergency stop device with detent mechanism as per EN ISO 13850 and EN 60947-5-5
- ▶ Clamping head for pull wire
- ▶ Indication of correct rope tension
- ▶ 3 cable entries M20 x 1.5
- ▶ Switching elements with 4 switching contacts
- ▶ Blue reset button



### Switching element

3131 Slow-action switching contact 2 NC  $\rightarrow$  + 2 NO

**Dimensional drawings**



Connection examples

