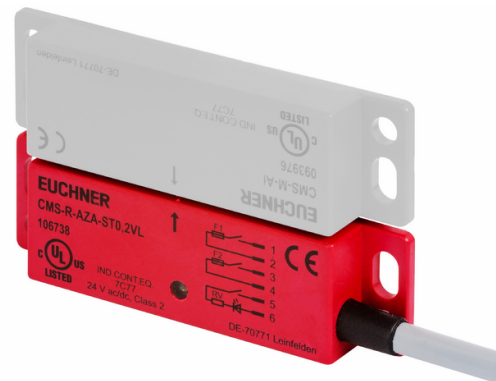


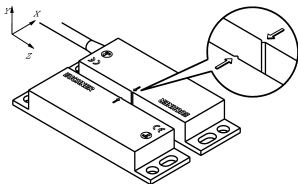
CMS-R-AXG-05V (Order no. 085735)

Read heads CMS, design A – with NO contact combinations, PVC

- ▶ In combination with evaluation unit CMS-E-AR
- ▶ Cube-shaped version, 88 x 25 mm
- ▶ NO contacts wired in series
- ▶ Connecting cable
- ▶ Cable type: PVC

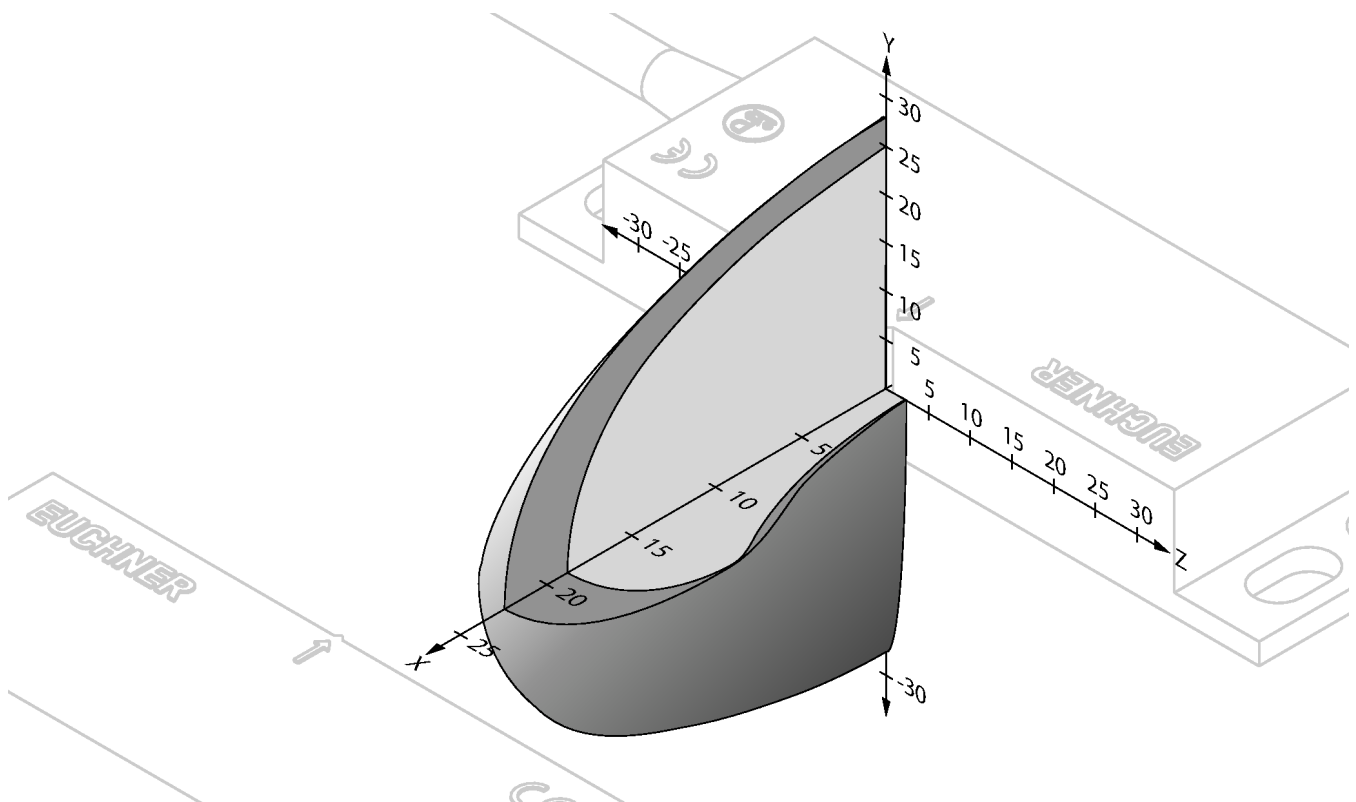


Alignment of read head and actuator



Operating diagram, design A

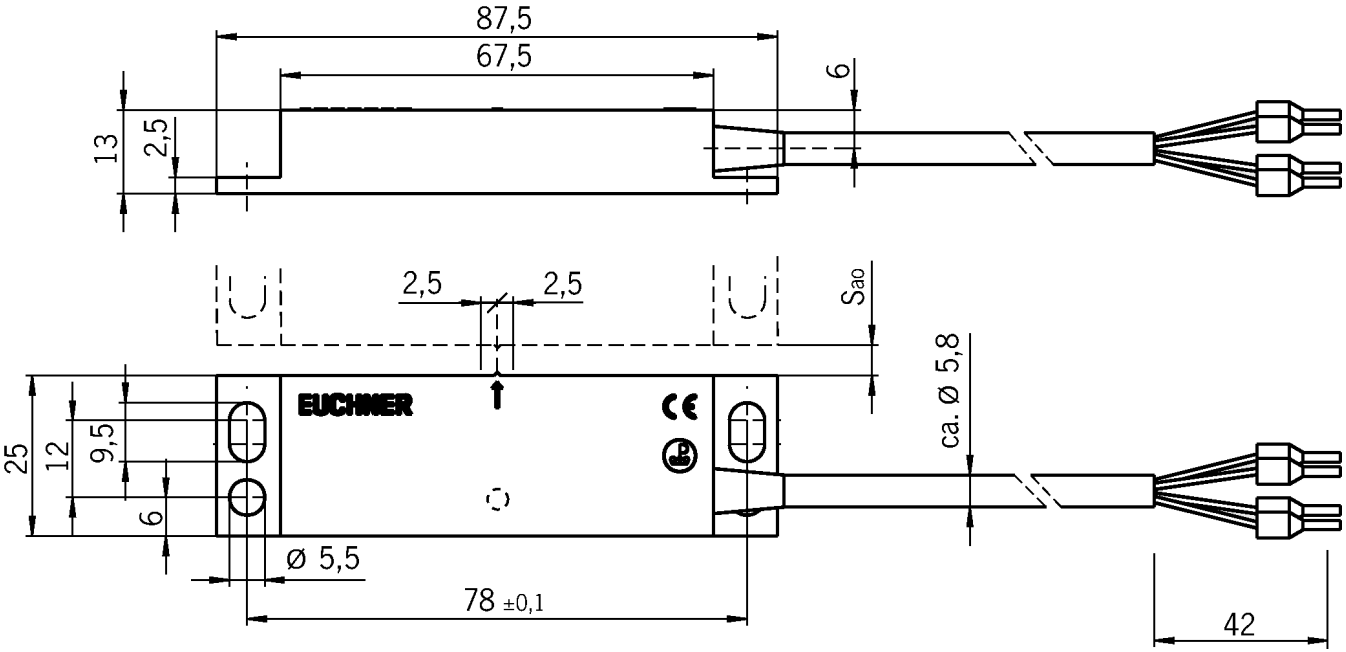
CMS-R-AXG



- ▶ Typ. operating distance

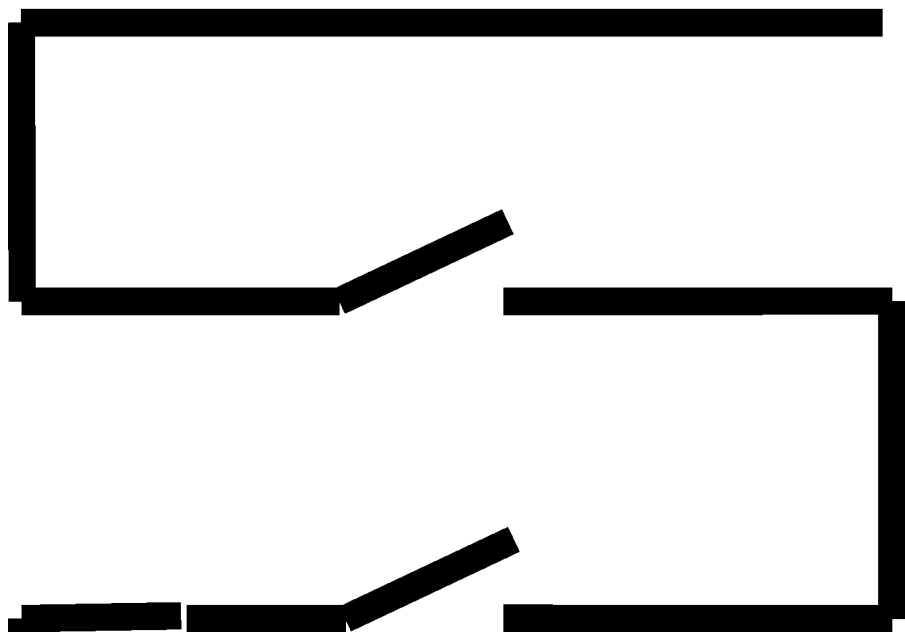
► Typ. release distance

Dimensional drawings



Connection examples

BN



WH

