

## NM01AK-M (Order no. 084559)

**Safety switch NM.AK, hinged actuator as hollow shaft, short housing, cable entry M16 x 1.5**

- ▶ Hinged actuator as hollow shaft, inner diameter 8.2 mm
- ▶ short housing
- ▶ Cable entry M16 x 1.5
- ▶ 1 pos. driven contact



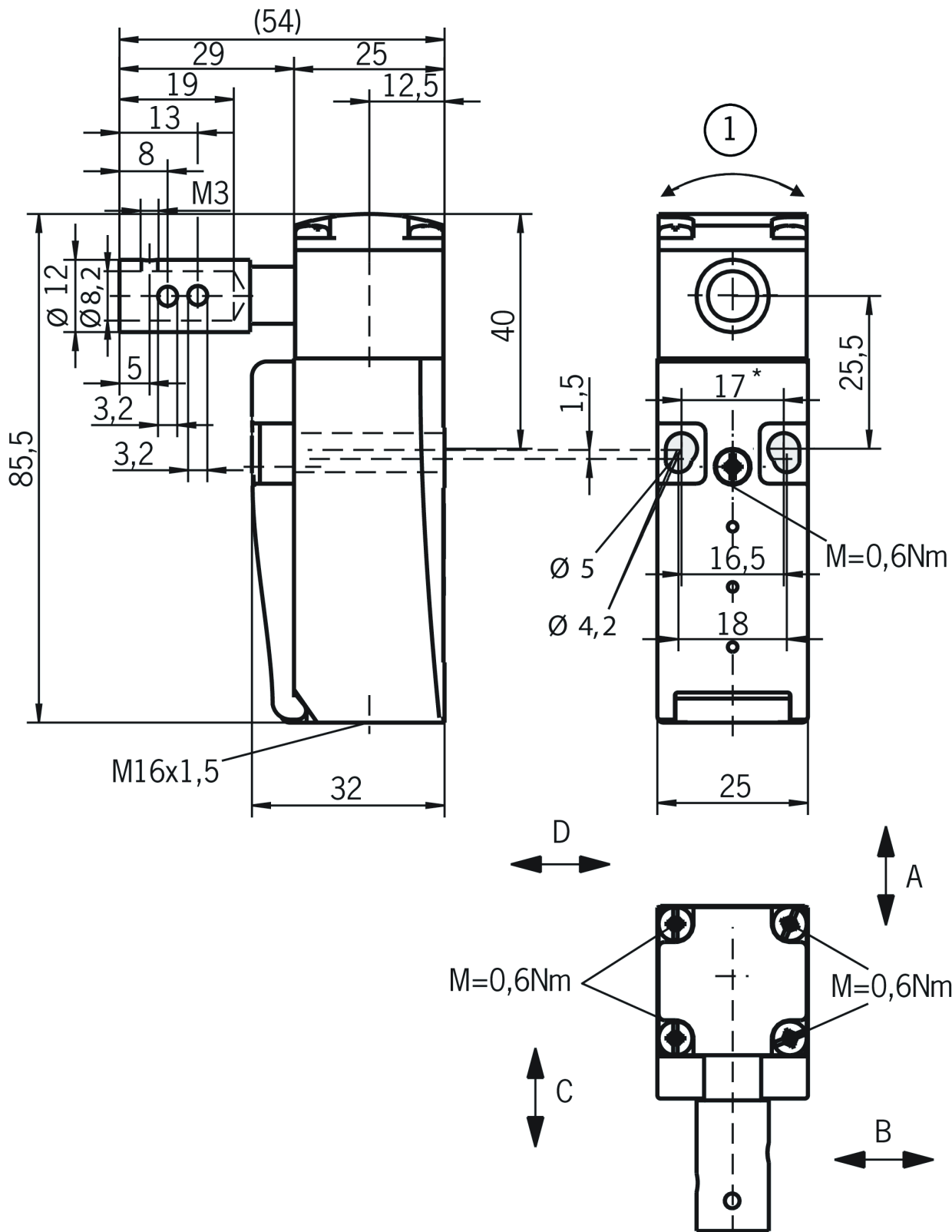
### Head alignment

Actuating head can be adjusted in 90° steps.

### Switching element

ES01 Slow-action switching contact 1 positively driven contact (→)

## Dimensional drawings



\* fixed positioning for safety-related applications (M5)

1 Actuating direction

Connection examples

