

CIT3APL1G05ST (Order no. 077805)

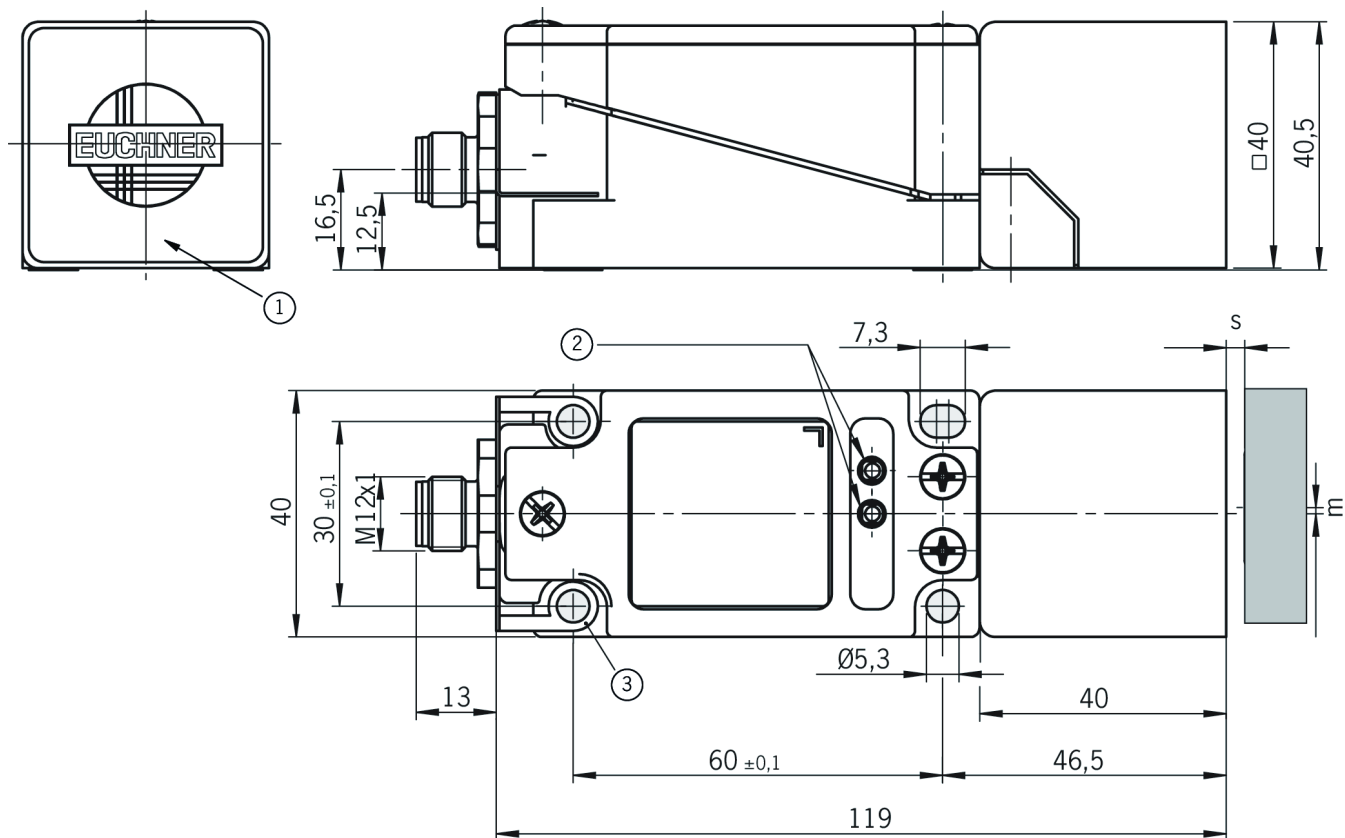
Read-only head CIT3A G05 with parallel interface, plugged in axially



Attention:

On the use of a screened cable the connecting cable is allowed to be max. 50 m long.

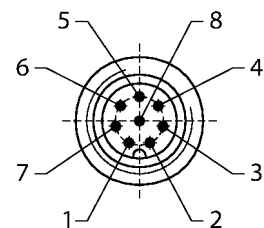
Dimensional drawings



- 1 Active face
- 2 LED status indication
- 3 shield spring
- m Center offset
- s Read distance

Connection examples

Pin	Bezeichnung	Beschreibung	Aderfarbe
1	0V/GND	Masse, DC 0 V	WH
2	24 V/U _B	Spannungsversorgung, DC 24 V	BN
3	A	Ausgang Datenleitung A	GN
4	B	Ausgang Datenleitung B	YE
5	C	Ausgang Datenleitung C	GY
6	D	Ausgang Datenleitung D	PK
7	SKIP	Eingang Datentakt	BU
8	STROBE	Ausgang Datenträger aktiv	RD
-		Schirm	offen



Ansicht auf Steckseite des Lesekopfs

Der Schirm der Anschlussleitung ist über die Rändelmutter des M12-Steckverbinders mit dem Gehäuse des Lesekopfs verbunden.

Technical data

Electrical connection values

Output type	Push-pull
Output voltage	0 ... 2 V DC for LOW level UB- 3 ... UB V DC for HIGH level
Operating voltage DC	20 ... 24 ... 28 V DC (All the electrical connections must either be isolated from the mains supply by a safety transformer according IEC/ EN 61558-2-6 with limited output voltage in the event of a fault, or by other equivalent isolation measures.)
Input voltage	min. 15 V DC SKIP input HIGH level max. 2 V DC SKIP input LOW level
Switching current	per output -30 ... +30 mA
Current consumption	90 ... 120 mA without load current
Resistance	4.5 kΩ Input resistance

Mechanical values and environment

Connection type	M12 plug, 8-pin, axial connection (The screen on the connecting cable is connected to the read head's screen bonding clamp via the knurled nut on the M12 plug connector.)
Storage temperature	-25 ... 70 °C
Mounting type	surface
Degree of protection	IP65
Ambient temperature	0 ... 50 °C
Material	Housing Plastic

Interface

Date interface	4-bit parallel, binary coded via HIGH/LOW level
----------------	-------------------------------------------------