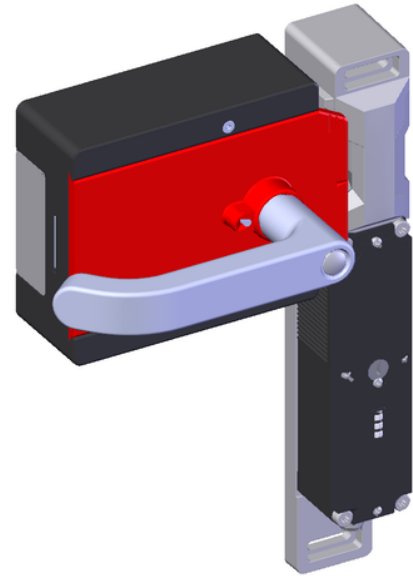


MGBS-P-L1H-AP-U-L-SA-161567 (Order no. 161567)

MGBS set AP, M12, door hinge on left

- ▶ Locking module with handle module
- ▶ suitable for doors hinged on the left
- ▶ Short circuit monitoring
- ▶ 2 safety outputs (semiconductor outputs)
- ▶ Up to category 4 / PL e according to EN ISO 13849-1
- ▶ With plug connector M12
- ▶ Unicode
- ▶ Door position monitoring output



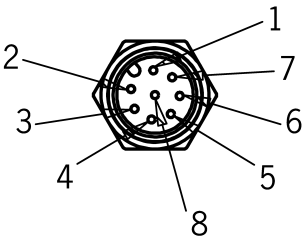
Unicode evaluation

Each handle module is highly coded (unicode). The locking module detects only handle modules that have been taught-in. Additional handle modules can be taught-in. Only the last handle module taught-in is detected.

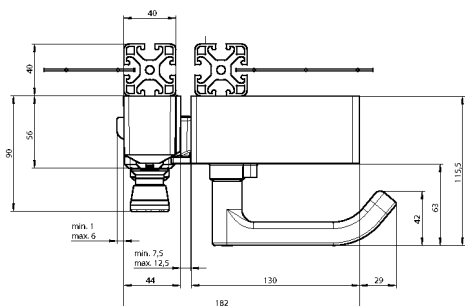
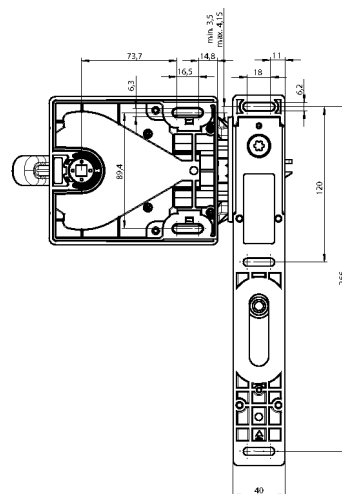
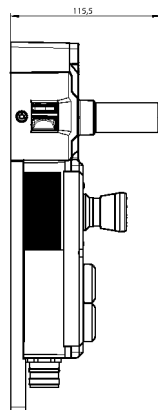
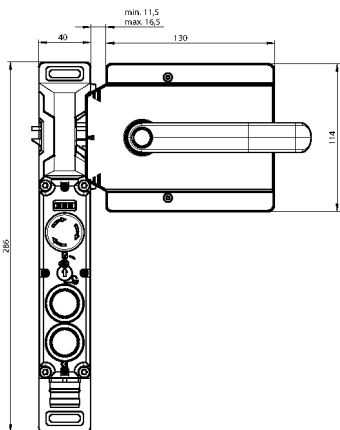
Guard locking type

MGBS- L1 Guard locking actuated by spring force and power-ON released (closed-circuit current principle).

Connector assignment

Plug connector (view of connection side)	Pin	Designation	Function	Connecting cable conductor coloring
	1	IMP	Solenoid operating voltage, 24 V DC	WH
	2	UB	Electronics operating voltage, 24 V DC	BN
	3	FO1A	Safety output, channel A	GN
	4	FO1B	Safety output, channel B	YE
	5	OI	Diagnostic monitoring output	GY
	6	OD	Door position monitoring output	PK
	7	0VUB	Electronics operating voltage, 0 V DC	BU
	8	IMM	Solenoid operating voltage, 0 V DC	RD

Dimensional drawings



Connection examples

