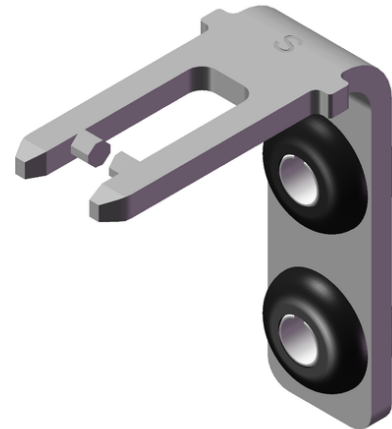


BETAETIGER-P-WT (Order no. 070038)

Bent actuator for safety switch NP/GP/TP

- ▶ Actuator made of stainless steel
- ▶ Two stainless-steel safety screws per actuator
- ▶ Actuator with rubber bush



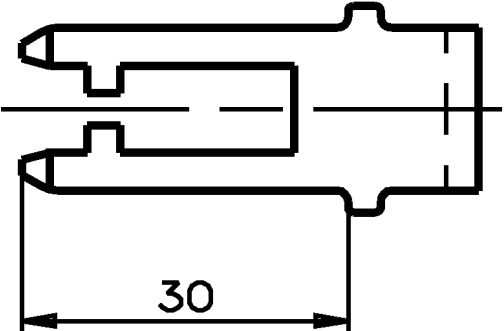
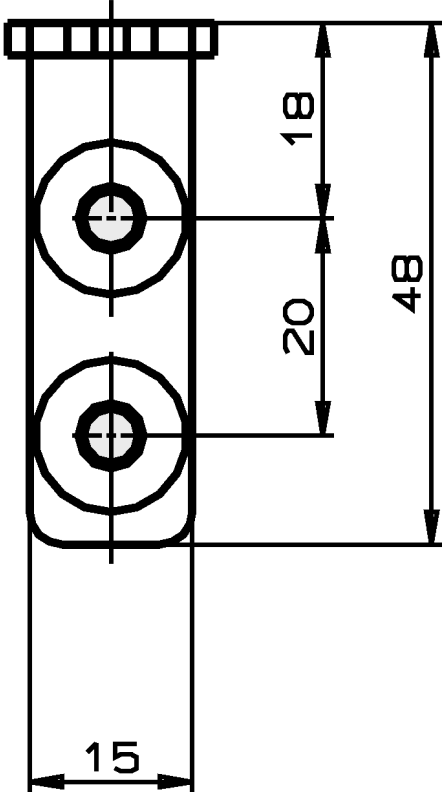
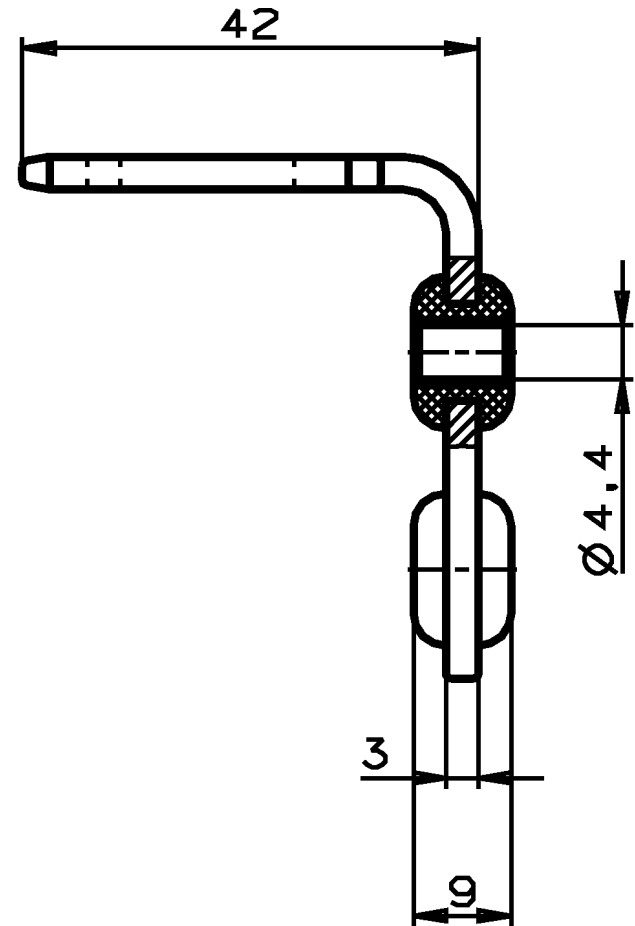
Actuator with rubber bush

For flexible mounting of the actuator.

Screws made of stainless steel

The safety screws included can be inserted with a normal tool, but cannot be removed again.

Dimensional drawings



Technical data

Mechanical values and environment

Storage temperature	-25 ... 70 °C
Overtravel	max. 2 mm
Door radius	min. 1000 mm
Material	
Actuator	Stainless steel
Screw	Stainless steel
Rubber bush	NBR

Miscellaneous

Usability of insertion funnel	No
-------------------------------	----