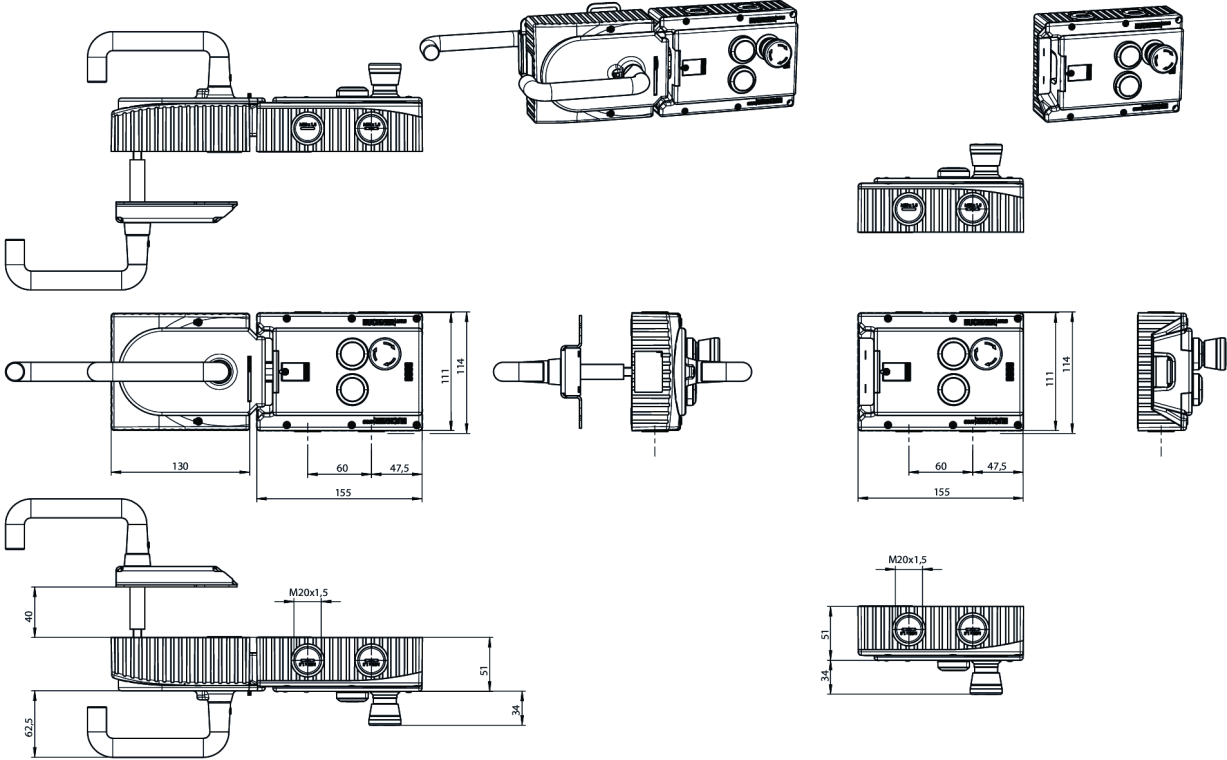


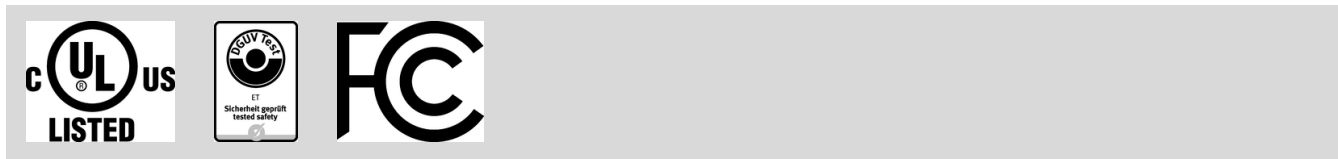
MGB-L1HE-ARA-L-111365 (Order no. 111365)

Dimensional drawings



Technical data

Approvals



Mechanical values and environment

| | |
|--------------------------|--|
| Installation orientation | Door hinge DIN left |
| Storage temperature | -25 ... 70 °C |
| Degree of protection | IP65 |
| Ambient temperature | -20 ... 55 °C |
| Material | Housing Fiber glass reinforced plastic, nickel-plated die-cast zinc, stainless steel |

Miscellaneous

| | |
|------------------------|------------------|
| Product version number | V3.0.0 |
| Additional feature | with black cover |

Operating and display elements

Occupancy diagram L1

| Item | Color | Extras | Note slide-in label | Version | Switching element | Slide-in label | Number | Designation1 | LED |
|------|-------|-------------------------|---------------------|------------------------|-------------------|----------------|--------|--------------|-----|
| 1 | | with monitoring contact | | Emergency stop | 2 PD + 1 NO | | | | |
| 2 | white | printed | | Illuminated pushbutton | 1NO | | | | |
| 3 | white | printed | | Illuminated pushbutton | 1NO | | | | |

Electrical connection values

| |
|--------------------------|
| Connection cross section |
| (rigid/flexible) |

| | |
|---|---|
| | 0.13 ... 1.5 mm ² (AWG 24 ... AWG 16) |
| (rigid/flexible) with cable end sleeve with collar according to DIN 46 228/1 | 0.25 ... 0.75 mm ² |
| (rigid/flexible) with cable end sleeve according to DIN 46 228/1 | 0.25 ... 1.5 mm ² |
| Rated insulation voltage U _i | 30 V |
| Rated impulse voltage U _{imp} | 1.5 kV |
| Discrepancy time | |
| between FO1A and FO1B | max. 10 ms |
| Utilization category | |
| | DC-13 24V 200mA (Caution: outputs must be protected with a free-wheeling diode in case of inductive loads.) |
| Risk time according to EN 60947-5-3 | max. 350 ms |
| Risk time according to EN 60947-5-3, extension for each additional device | max. 5 ms |
| Safety class | III |
| Transponder coding | Unicode |
| Degree of contamination (external, according to EN 60947-1) | 3 |
| | Solenoid control input IMP1, IMP2, IMM |
| Test pulse duration | max. 5 ms |
| Test pulse interval | min. 100 ms |
| | Controls and indicators |
| Breaking capacity | max. 0.25 W |
| Switching voltage | U _A V |
| Switching current | 1 ... 10 mA |
| LED power supply | 24 V DC |
| | Emergency stop |
| Breaking capacity | max. 0.25 W |
| Switching voltage | 5 ... 24 V |
| Switching current | 1 ... 100 mA |
| LED power supply | 24 V DC |