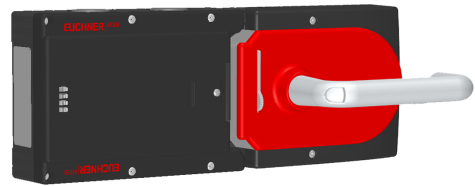


MGB-L1H-ARA-R-105782 (Order no. 105782)

Locking set MGB-L1H-ARA... (guard locking by spring force) without control or indicator

- ▶ Guard locking with guard lock monitoring
- ▶ Can be connected in series with other AR devices (e.g. CES-AR and CET-AR)
- ▶ With cable entry
- ▶ Unicode



Guard locking type

MGB-L1... The locking arm is held in the locked position by spring force and is unlocked by solenoid force (closed-circuit current principle, mechanically locked).

Door hinge

A mechanical door stop is permanently integrated into the evaluation module of the MGB. A marking on the stop makes adjustment easier.

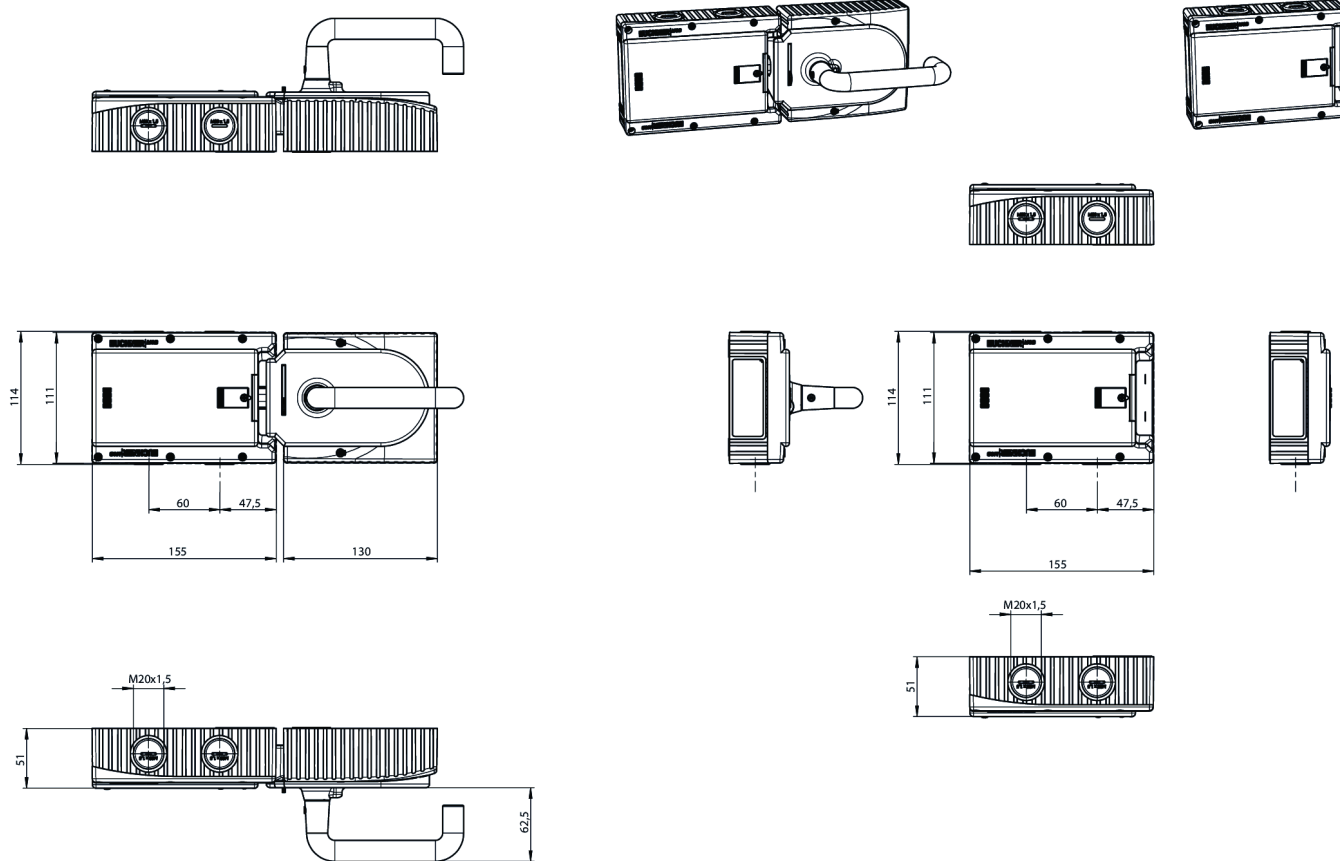
LED indicator

The LED indicator indicates all important system and status information.

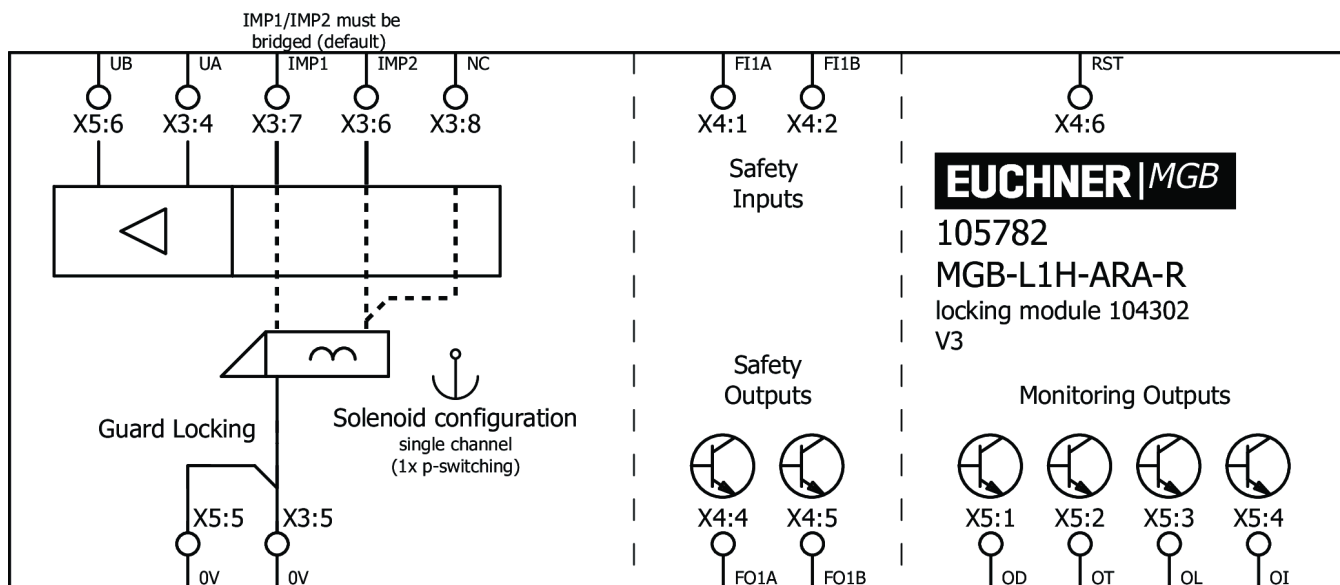
Monitoring outputs

- OD ON when the door is closed
- OT Bolt tongue inserted into the evaluation module
- OL Guard locking solenoid in locked position
- OI Diagnostics; there is a fault

Dimensional drawings



Connection examples



Components



100464

MGB-H-AA1A1-R-100464

Handle module MGB-H-...

- ▶ Intelligent bolt tongue
- ▶ Lockout mechanism
- ▶ Door handle



104302

MGB-L1-ARA-AA1A1-M-104302

Locking module MGB-L1-ARA... (guard locking by spring force) without controls or indicators

- ▶ Guard locking with guard lock monitoring
- ▶ Can be connected in series with other AR devices (e.g. CES-AR and CET-AR)
- ▶ With cable entry
- ▶ Unicode