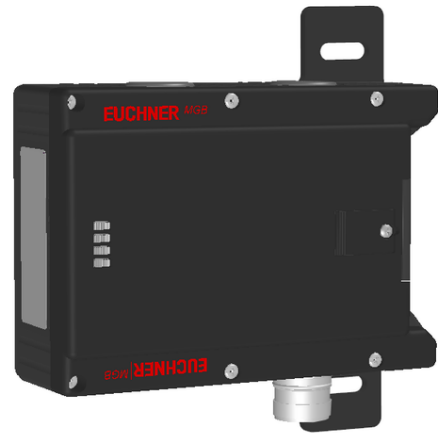


## MGB-L1-APA-AA1A2-S1-R-112597 (Order no. 112597)

### Locking module MGB-L1-APA... (guard locking by spring force) without controls or indicators, RC18, on mounting plates

- ▶ Guard locking with guard lock monitoring
- ▶ With plug connector RC18
- ▶ Mounted on mounting plate
- ▶ Unicode



### Guard locking type

MGB- The locking arm is held in the locked position by spring force and is unlocked by solenoid force  
L1... (closed-circuit current principle, mechanically locked).

### Door hinge

A mechanical door stop is permanently integrated into the evaluation module of the MGB. A marking on the stop makes adjustment easier.

### LED indicator

The LED indicator indicates all important system and status information.

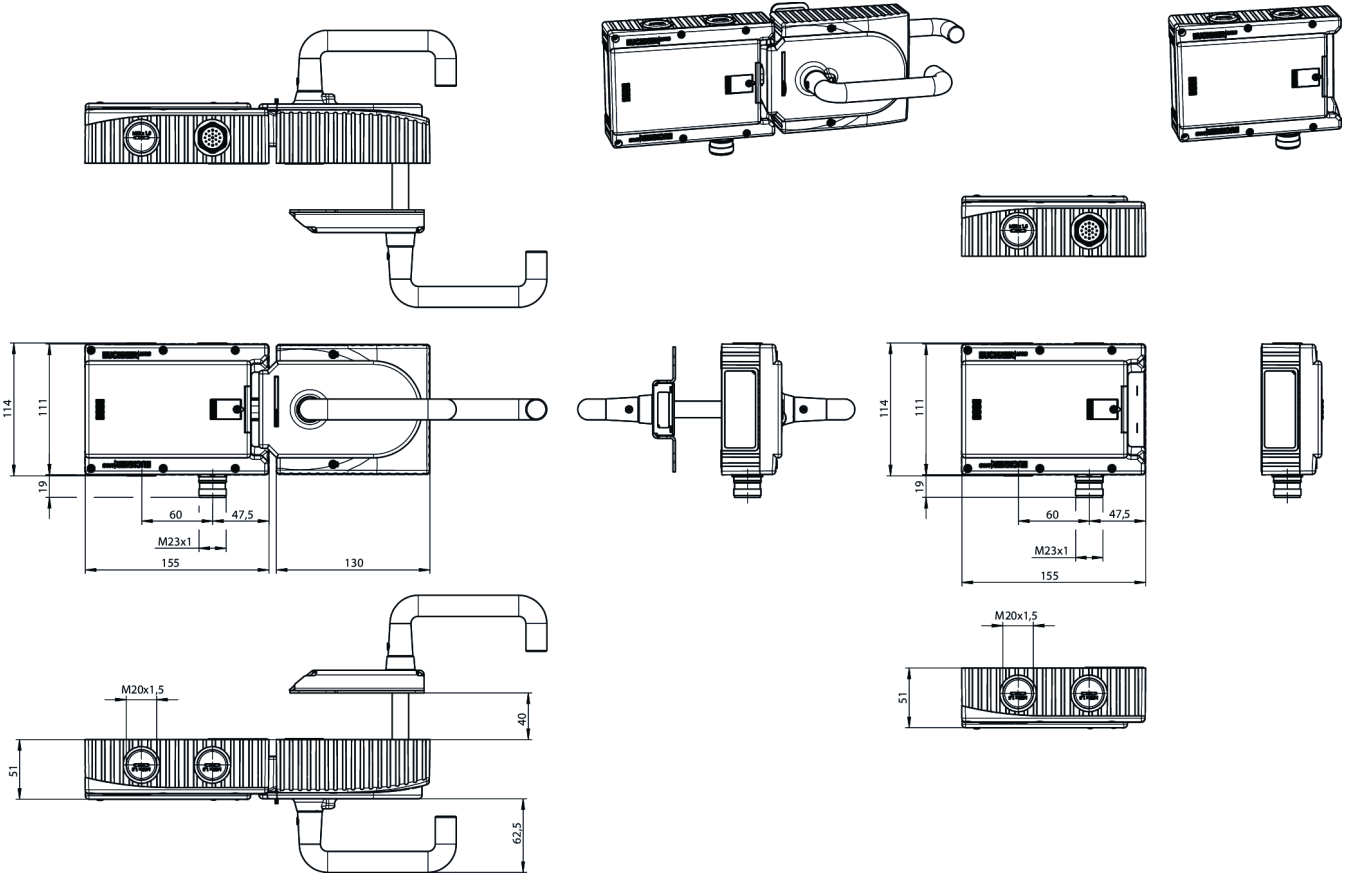
### Monitoring outputs

- OD ON when the door is closed
- OT Bolt tongue inserted into the evaluation module
- OI Diagnostics; there is a fault

### Notice

The interlocking module is pre-assembled on a mounting plate.

**Dimensional drawings**



Dimensional drawings

