

CIS3AP50X50SH16YSNOP (Order no. 088823)

Data carrier CIS3A

- ▶ Square design, 50 x 50 mm
- ▶ Programmed

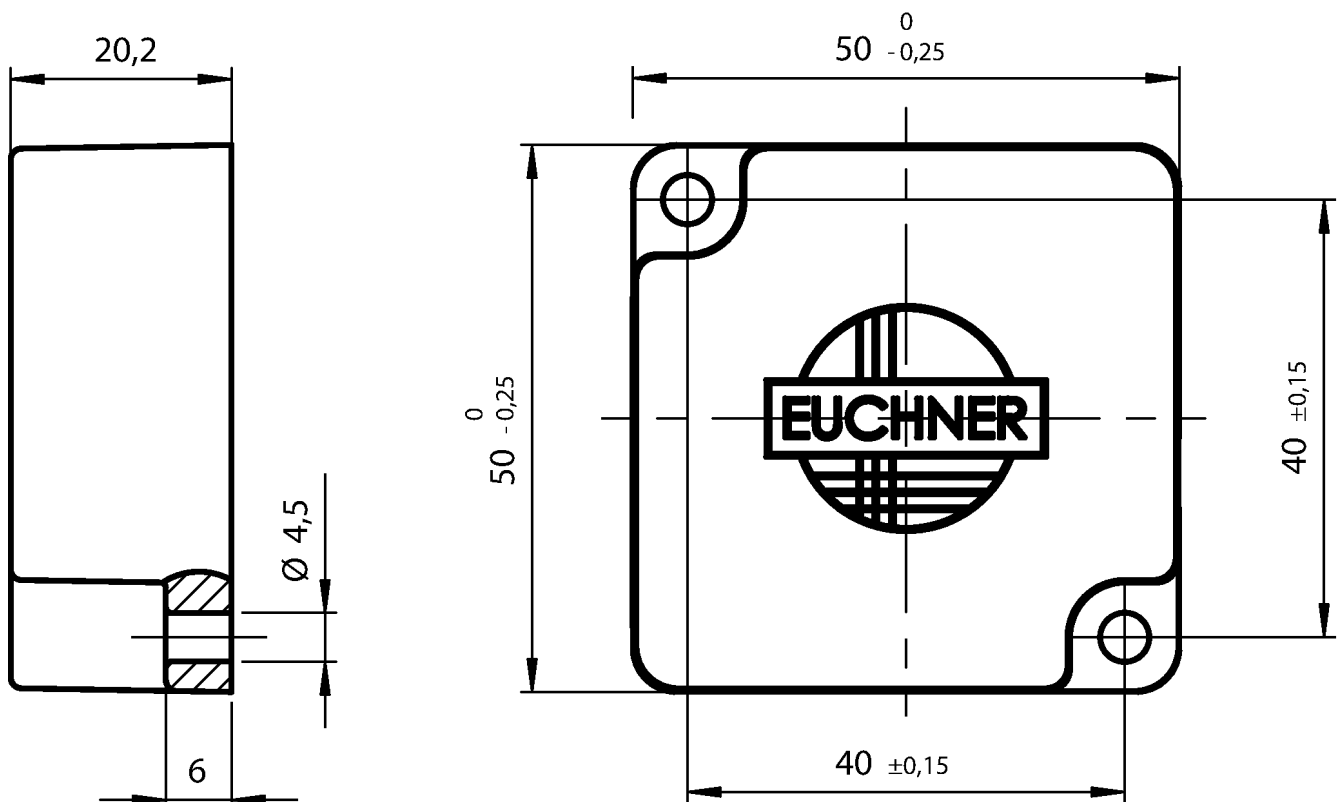


Programming

The data carrier can be written (programmed) for read-only operation with a maximum of 32 hexadecimal digits (value from 0_{hex} to F_{hex}) on customer request. Standard filler digit after the customer-specific defined digits is E_{hex} .

The housing is permanently laser marked with the digits programmed (not including filler digits) in hexadecimal notation.

Dimensional drawings



Technical data

Electrical connection values

Number of read cycles	not limited
Number of write cycles	max. 100000
Data retention time	max. 20 y at +22 °C
Power supply	Inductive via read head
Storage capacity	16 Byte read/write (The memory of the read/write data carrier is organized as follows: writing possible only in 2-byte blocks, reading possible byte by byte)

Mechanical values and environment

Storage temperature	-25 ... 70 °C
Mounting type	Surface mounting on metal
Degree of protection	IP67
Ambient temperature	-20 ... 70 °C
Material	
	Housing PPS plastic
Method of operation	Operating frequency 125kHz

Downloads

All documentation for this material can be found on our website:

<https://www.euchner.de/en-us/a/088823/?#downloads-tab>