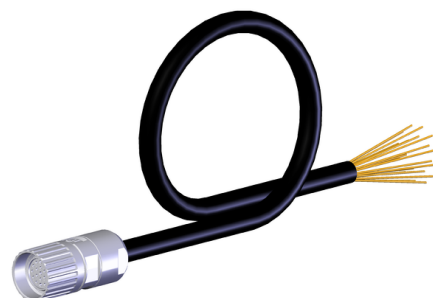


## C-M23F19-19XDIFPU30,0-MA-122434 (Order no. 122434)

### Connecting cable with plug connector M23, 19-pin, 30 m, straight

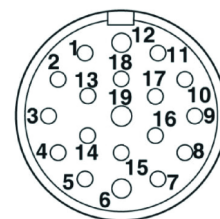
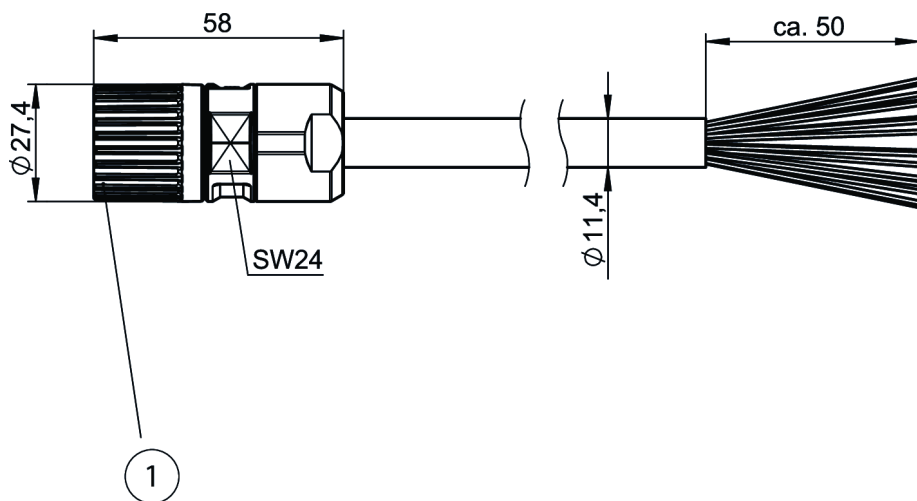
- ▶ M23 female plug, 19-pin
- ▶ Straight plug connector
- ▶ PUR cable
- ▶ Cable length 30 m
- ▶ With flying lead
- ▶ Cores numbered, black



### Connector assignment

Plug connector (view of connection side)	Pin	Cross-section	Numbering imprinted
	1	0.5 mm <sup>2</sup>	1
	2	0.5 mm <sup>2</sup>	2
	3	0.5 mm <sup>2</sup>	3
	4	0.5 mm <sup>2</sup>	4
	5	0.5 mm <sup>2</sup>	5
	6	1.0 mm <sup>2</sup>	6
	7	0.5 mm <sup>2</sup>	7
	8	0.5 mm <sup>2</sup>	8
	9	0.5 mm <sup>2</sup>	9
	10	0.5 mm <sup>2</sup>	10
	11	0.5 mm <sup>2</sup>	11
	12	1.0 mm <sup>2</sup>	12
	13	0.5 mm <sup>2</sup>	13
	14	0.5 mm <sup>2</sup>	14
	15	0.5 mm <sup>2</sup>	15
	16	0.5 mm <sup>2</sup>	16
	17	0.5 mm <sup>2</sup>	17
	18	0.5 mm <sup>2</sup>	18
	19	1.0 mm <sup>2</sup>	19

## Dimensional drawings



- 1 Female plug with union nut M23, 19-pin, without shield spring
- 2 Terminal assignment as seen from the plug side