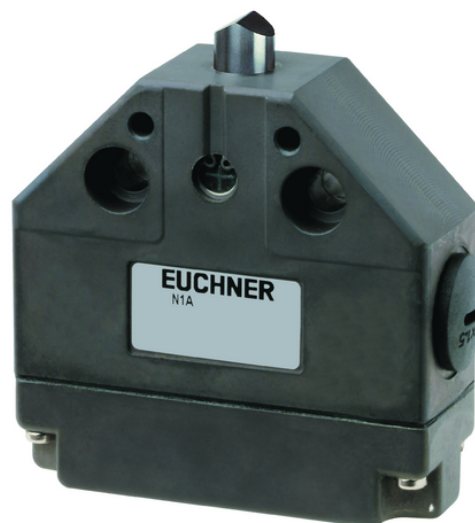


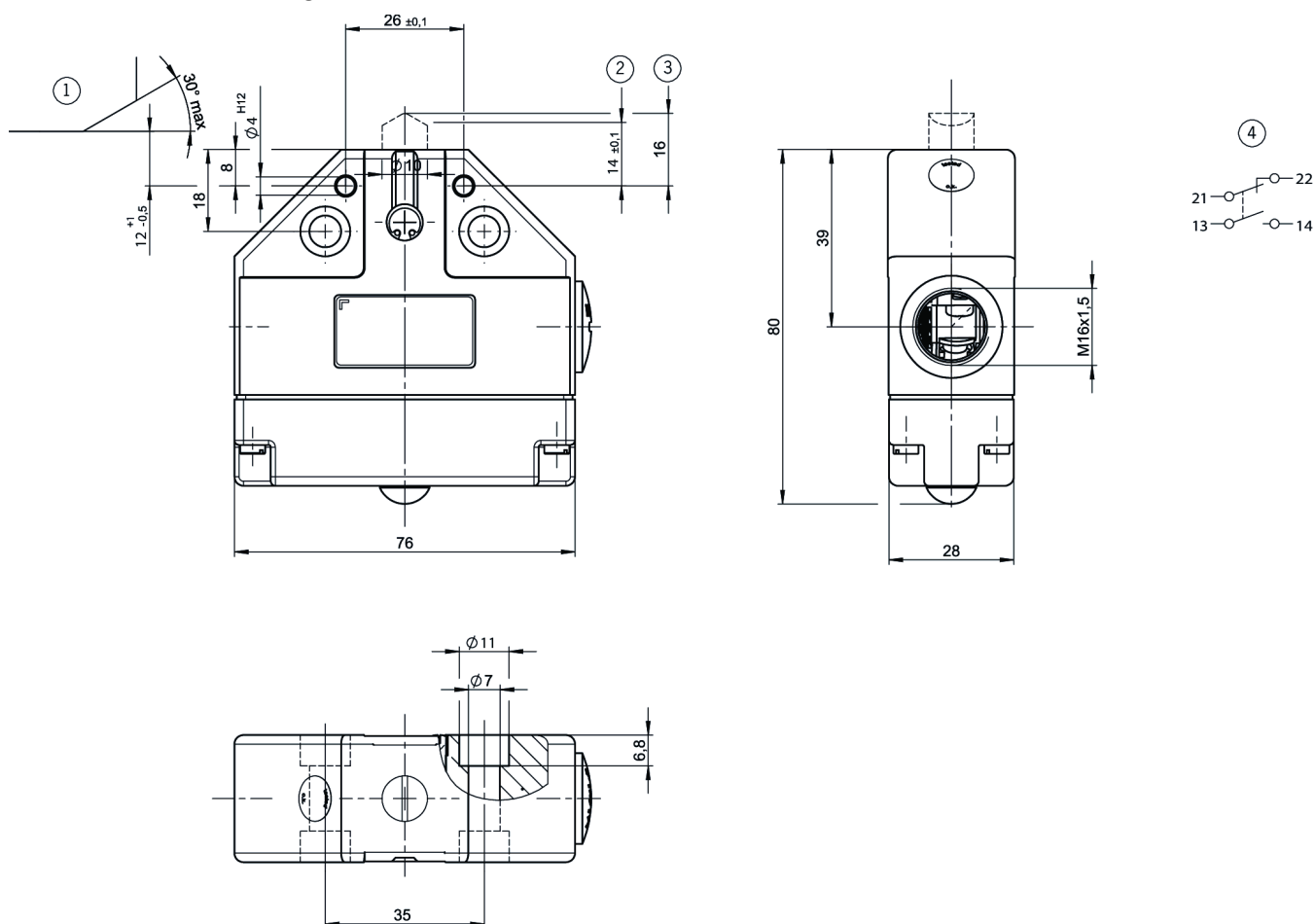
N1AD502LE060-M (Order no. 087207)

Precision single limit switch N1A, chisel plunger

- ▶ Plunger material stainless steel
- ▶ Housing according to DIN 43693



Dimensional drawings



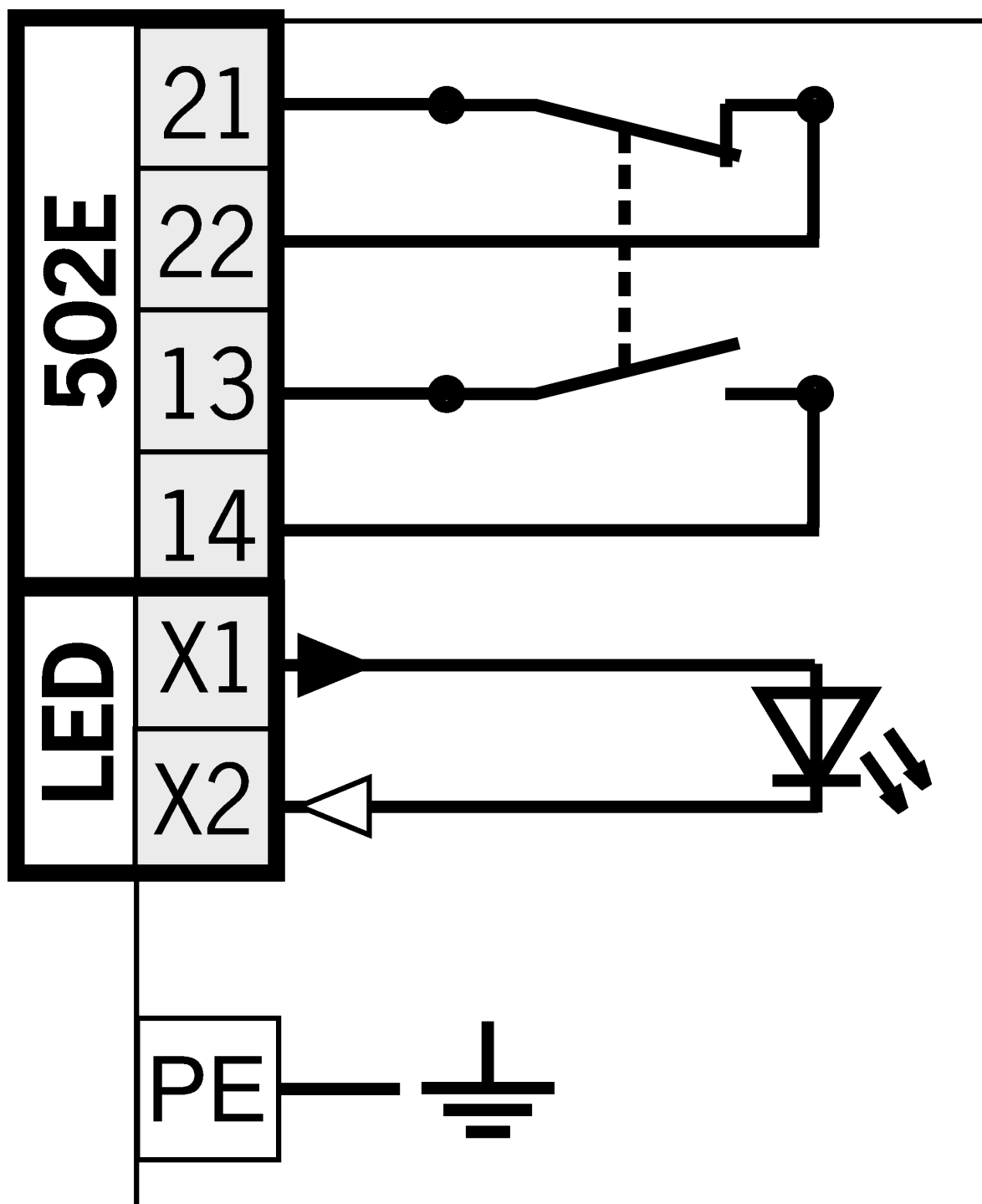
1 Dog

2 Operating point

3 Free position

4 Switching element: ES502E snap-action contact element, 1 NC contact + 1 NO contact

Connection examples



Technical data

Approvals



Electrical connection values

Fuse	max. 8 A gG	
Connection cross section	0.34 ... 1.5 mm ²	
Display module	AC/DC	12 ... 60 ... 60 V LED
Rated insulation voltage U _i	250 V	
Rated impulse voltage U _{imp}	2.5 kV	
Utilization category	DC-13	6 A 24 V
	AC-15	6 A 230 V
	AC-12	8 A 250 V
Switching current	min. at DC 12V	10 mA
thermal rated current I _{th}	8 A	

Mechanical values and environment

Anfahrsgeschwindigkeit	0.01 ... 40 m/min	
Connection type	2 x	M16 x 1.5
Number NC contacts	1	
Number of switching elements	1	
Number of NO contacts	1	
Design	Housing according to DIN 43693	
Actuating element	Chisel plunger	
Actuating force	min. 20 N	
Installation orientation	any	